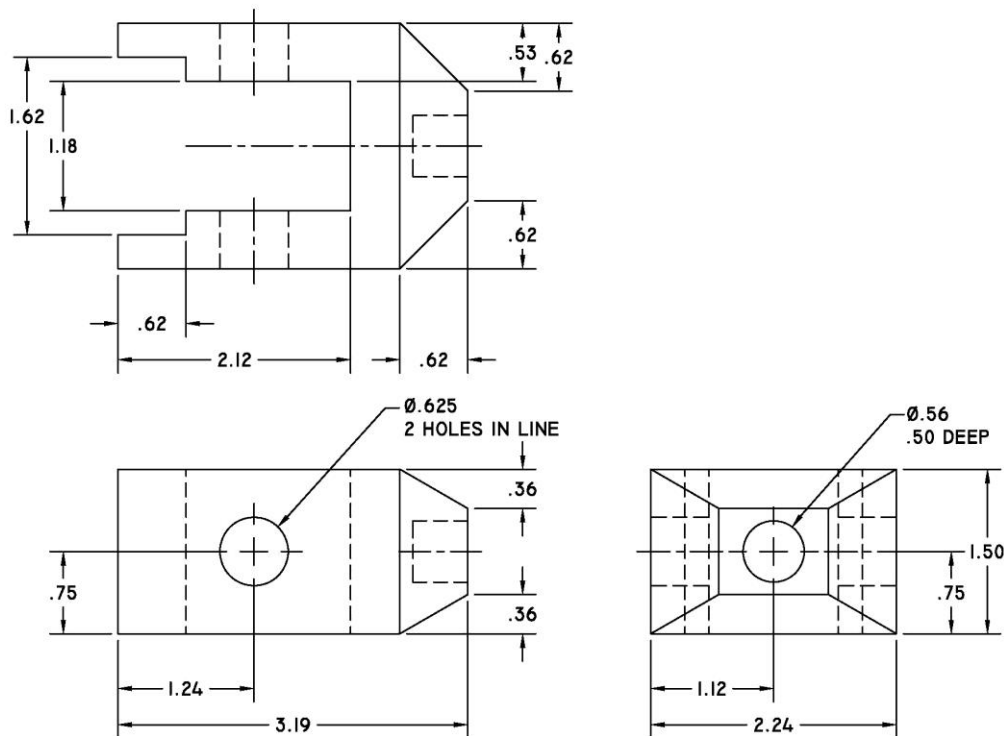


Super Block CAD Drawing

1. Open up your “BLANK DRAWING TEMPLATE- INCH”. Dwg file
2. Perform a Save-As and save the file as SUPER BLOCK-YOUR LAST NAME in your Drafting folder.
3. In CAD draft the following 3 views of the object. Draw items on the **correct layers** and at the correct measurements.



4. Add dimensions as shown on your drawing in CAD.
5. Once you are complete drafting the three views with dimensions, set your drawing up in paper space at 1:1 scale. Fill out your title block completely.
6. Plot off a “Check-Set” on an A-size sheet of paper.
7. Have a classmate check your work. Once that person is done checking, or “**red-marking**” your drawing, they need to write on the drawing “**Checked By: First and Last Name**”. That person will receive a grade on how well they checked your drawing by catching mistakes.
8. Fix the red-marks given to you on your drawing as you feel are needed.
9. Re-plot your drawing and turn in a clean copy along with the red-marked copy your partner gave you.