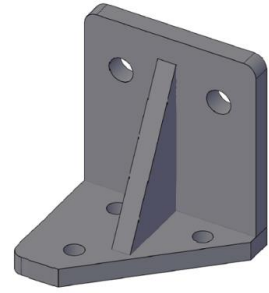


## Stop Bracket Drawing- CAD

1. Open up your "BLANK DRAWING TEMPLATE-INCH"
2. Perform a Save-As and save the file as STOP BRACKET in your Drafting folder.
3. In CAD draft the Top, Front and Right Side View of the Stop Bracket inputting the correct measurements and using the correct layers, Visible Line, Hidden Line Center Line, Title.
4. Center lines should project past the face of the object .125".
5. Label your views, TOP VIEW, FRONT VIEW, RIGHT SIDE VIEW using the 1-2 TITLE Size.
6. Set your drawing up into Paper Space, fill out the title block as needed and plot from paper space.
7. *Optional: Using a colored pencil, draw lines on your drawing proving that your views align and elements are all drawn the same size. If they don't go back and fix your drawing.*
8. Add dimensions to your drawing in CAD. Place all dimensions on the DIMENSION layer and use the 1:2 Dim and Text size.
9. Print a check-set and have your partner red-mark it. Pick up any red-marks as needed.
10. Turn in a final drawing for yourself and the red-marks your partner gave you.



**TOP SECRET**

"THE MILLION DOOR IDEA"

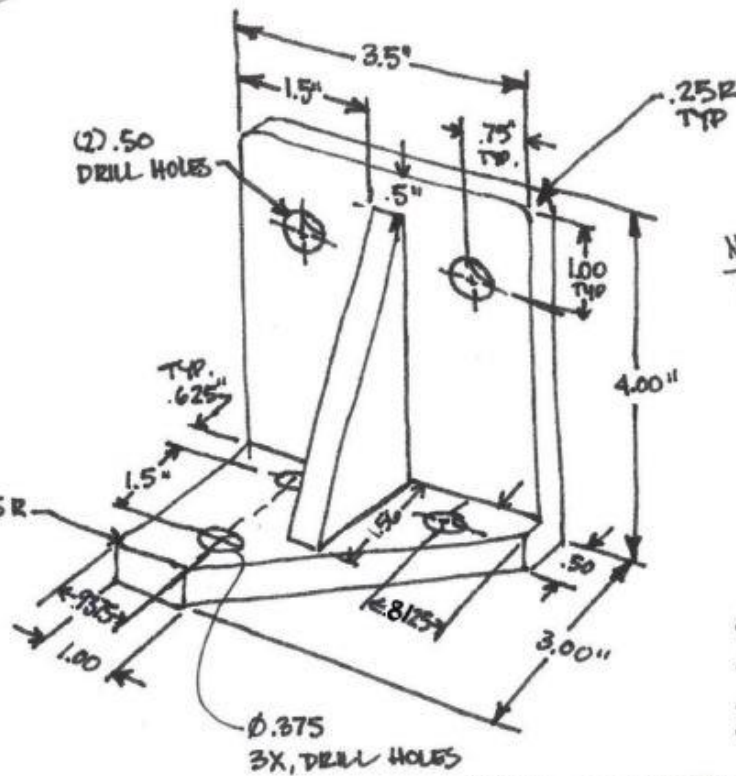
WHAT SHOULD IT BE NAMED?

"L-BRACKET"

"STOP-CLIP"

"STOP-BRACKET"

"CLIP STAND"



NOTE:

1. PART THICKNESS  
.375" METAL TYP.

ITEMS TO ADDRESS

- FABRICATION?
- LEAD TIME?
- COST?
- MANUF. ??

KEP SAWSTER

11.11.2039

