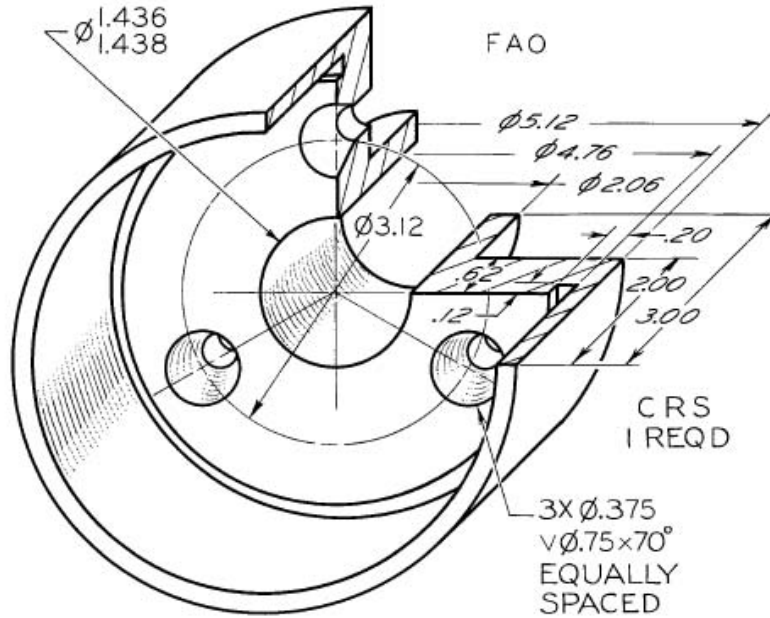


### Section Drawings

Below are three parts, **Special Bearing**, **Pulley** and **Rocker Arm**. Study each part so you fully understand what it looks like. Draft the necessary views of the part along with the type of section noted. Determine if the part is given in inches or millimeters and select the correct CAD file type to start with. (*Blank Drawing Template- Inches or Blank Drawing Template- MM*)

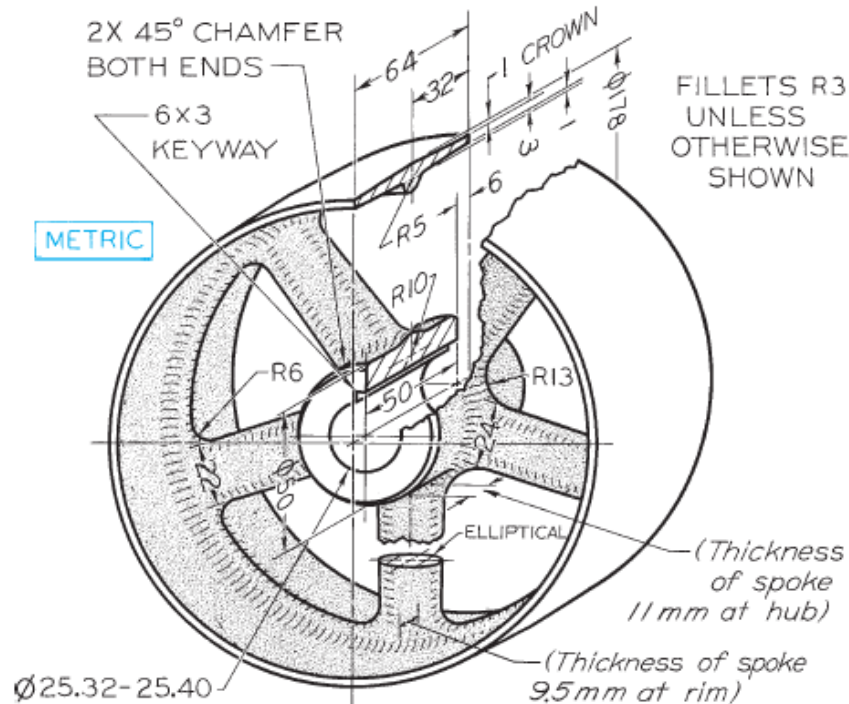
Drawings need to be plotted on A-size sheets. When inserting the drawing into paper space, select that scale that shows the object as large as possible but without overcrowding. Drawing do not have to be dimensioned.

Draw the necessary views, with a **full** section.



**FIGURE 7.45** Special Bearing.

Draw the necessary views, with a **full and revolved** section of the spoke.



**FIGURE 7.51** Pulley.

Draw the necessary views, with a **revolved** section.

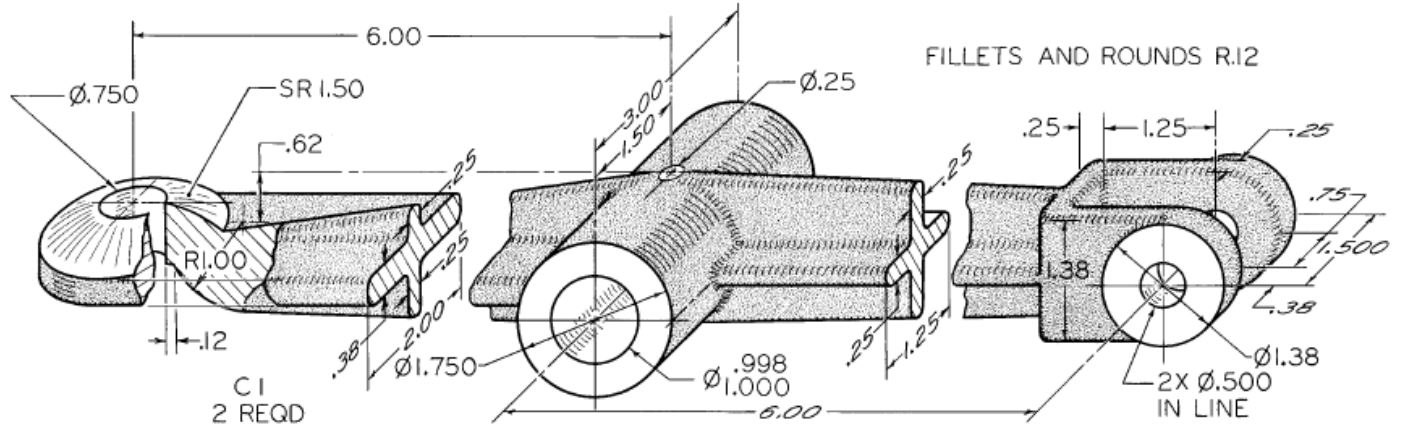


FIGURE 7.55 Rocker Arm.