

Section Drawings

Below is a picture of a **CUP WASHER**. Study the parts so you can visualize it in your head and fully understand what it looks like. Draft the necessary views of the part along with a **full** section. Determine if the part is given in inches or millimeters and select the correct CAD file type to start with. (*Blank Drawing Template-Inches or Blank Drawing Template- MM*)

Drawings need to be plotted on A-size sheets. When inserting the drawing into paper space, select that scale that shows the object as large as possible but without overcrowding.

Do not dimension the drawing.

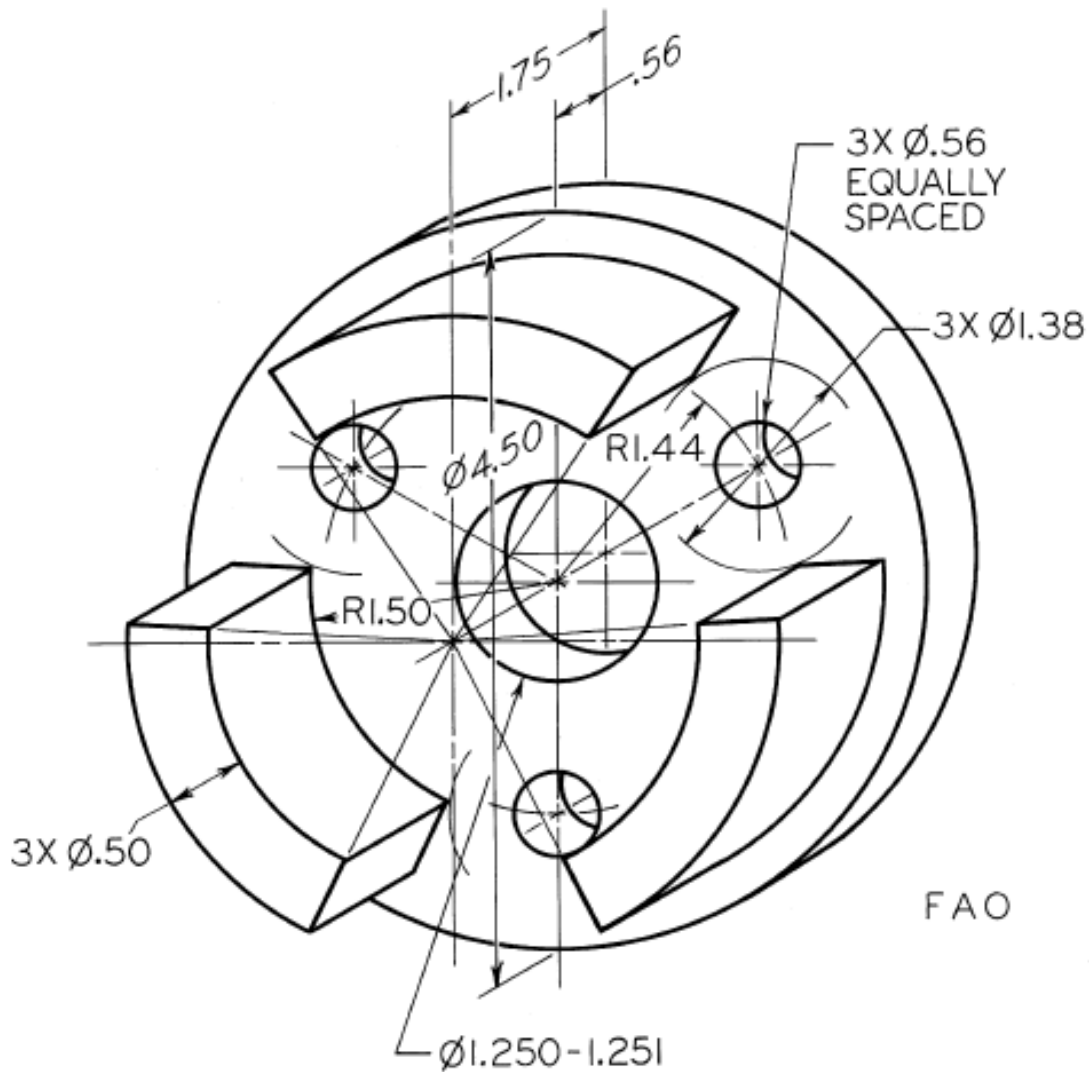


FIGURE 7.47 Cup Washer.