

Safety Key Drawing

Preparing to Draw: Basic Drawing and Dimensioning Skills, Identifying Measurements, and Multiview Drawings

Below is a 3-D (Isometric) view of a part called "SAFETY KEY". Study the drawing and mentally picture the object in 3-D in your head. Then picture the object orthographically. What does the front view look like, the right side view, the top view, etc.?

Open up the inch template file drawing. Do a Save-as and rename it SAFTY KEY and save it in your Drafting Folder

Draft the necessary views and dimension properly.

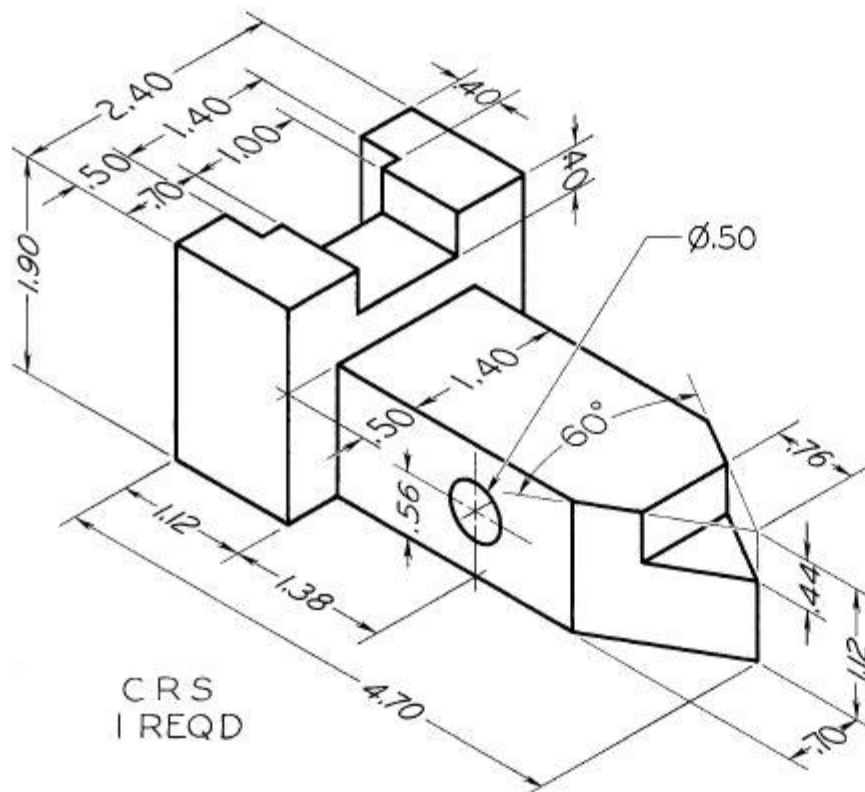


FIGURE 6.55 Safety Key.

You will be graded on the following....

- Properly Drawn Views
- Proper View Spacing
- Line Quality
- Line Weights
- Proper Dimension Locations
- Proper Dimension drawing (extension lines, arrow heads etc.)
- Lettering
- Title Block
- Overall Neatness
- Following of directions