

Safety Key Drawing

Preparing to Draw: Basic Drawing and Dimensioning Skills, Identifying Measurements, and Multiview Drawings

Below is a 3-D (Isometric) view of a part called “SAFETY KEY”. Study the drawing and mentally picture the object in 3-D in your head. Then picture the object orthographically. What does the front view look like, the right-side view, the top view, etc.?

Draft the necessary views on the sheet given to you. Do not add dimensions to the drawing.

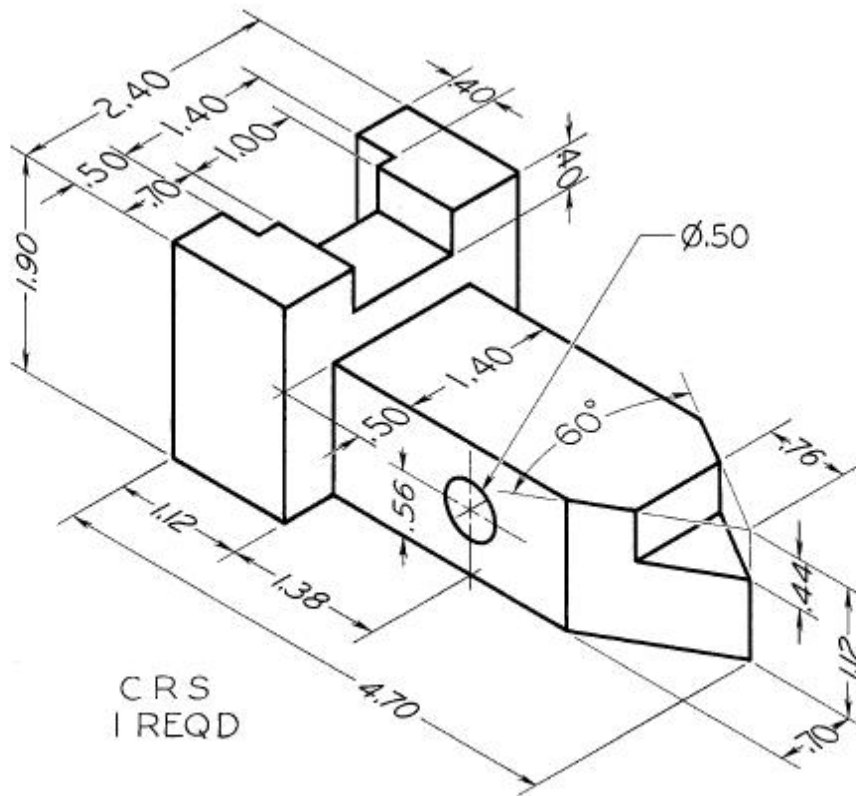


FIGURE 6.55 Safety Key.

15.1306 Mechanical Drafting Consolidated (2011) State of MI Standards: Measure lines, angles, & geometric features (d1) ID drawing views & details (d2) ID & create line types (d3) ID & create sketches (d4) Select & interpret scale & paper size (d9) ID & operate design tools/instruments (CAD &/ or manual) (d10) ID & read precision measurement tools (f1) Draw lines & curved elements (g1) Construct perpendicular & parallel lines (g2) Construct tangent lines & arcs (g3) Multiview projection (3rd & 1st angle) (I2) Locate & describe features (L1) Place local & general notes including fonts, lettering size, style, etc. (L6) ID measurements (L8)

You will be graded on the following:

- Line Weights
- Line Work and Quality
- Proper Drawing Measurements
- Lettering
- Properly Drawn Views
- Proper View Spacing and Page Layout
- Title Block
- Overall Neatness
- Following of Directions and Effort