

Roller Lever

Draft the necessary views and properly dimension the views.

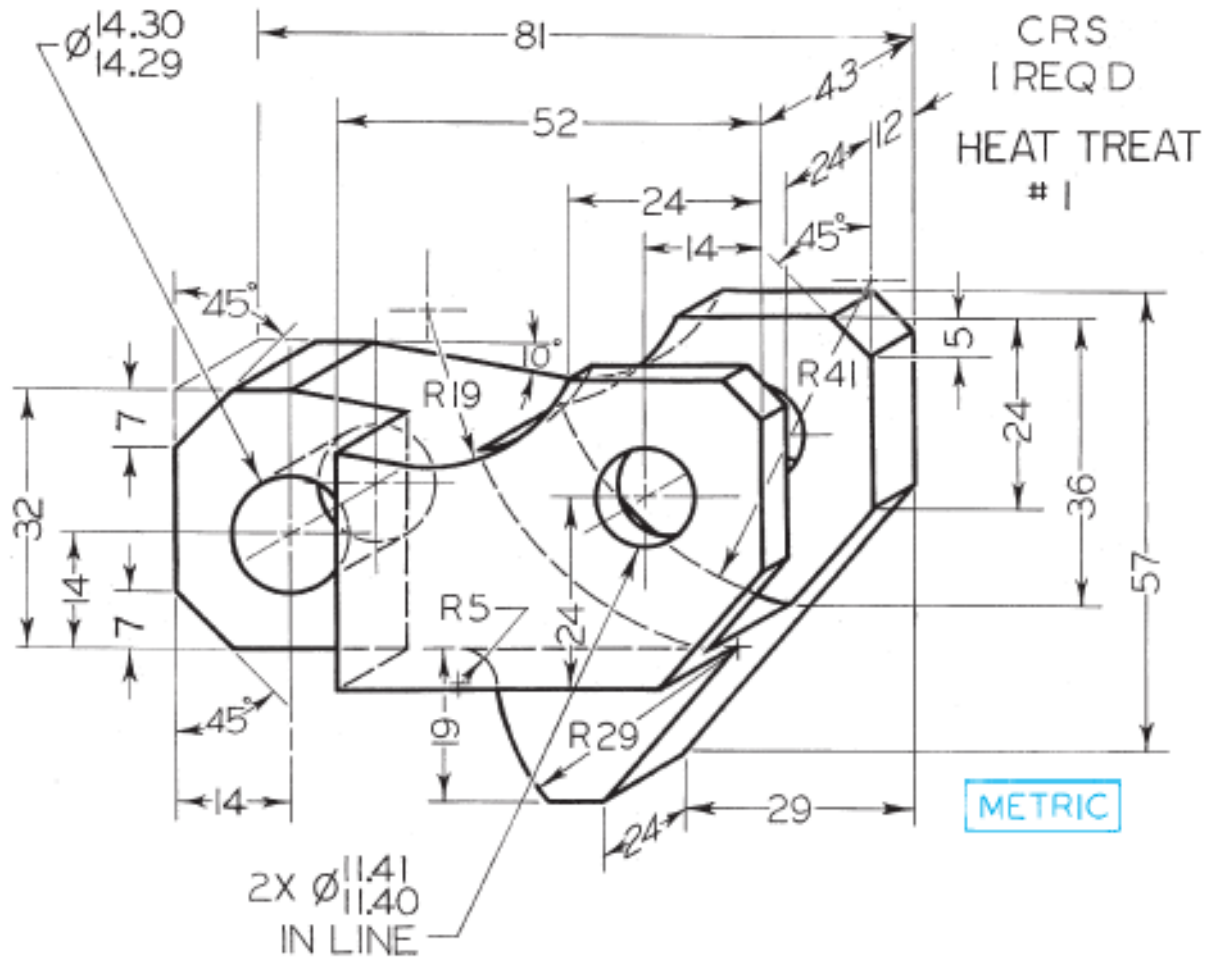


FIGURE 6.65

Roller Lever.