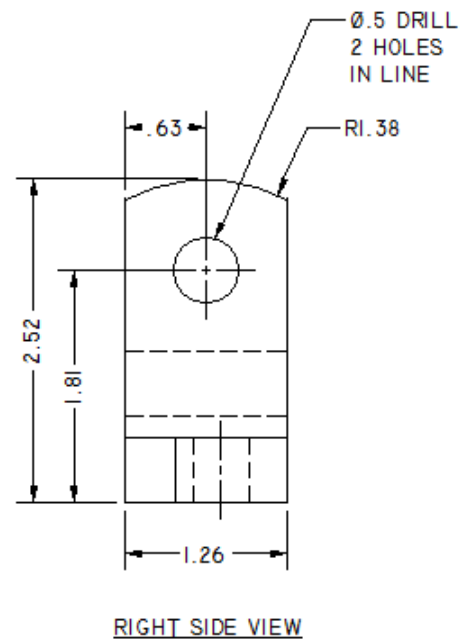
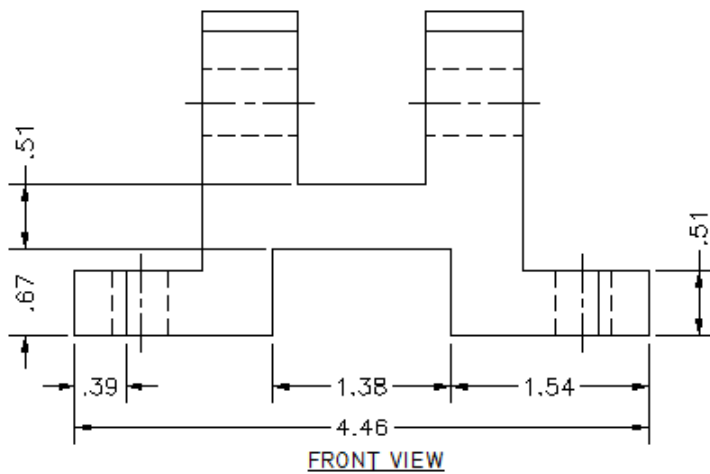
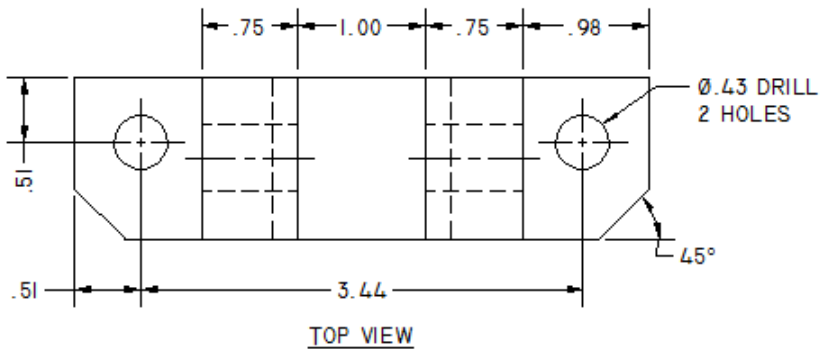
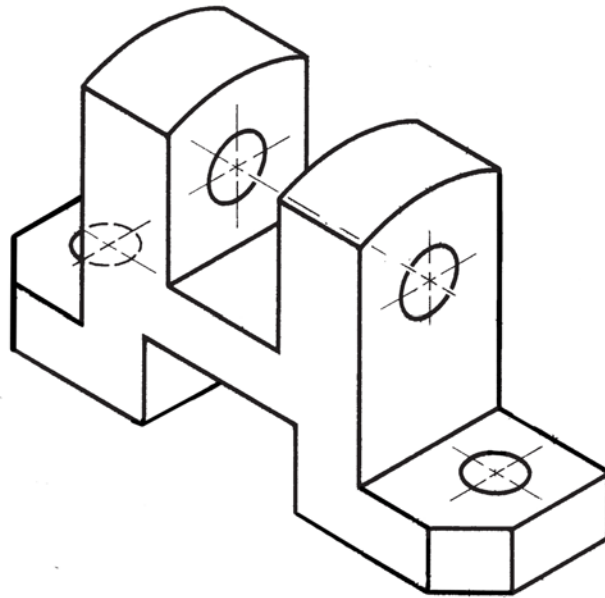


# ROD SUPPORT



DRAWING TITLE	DRAWN BY	SCALE	DATE	FILE	NO.
ROD SUPPORT	FIRST AND LAST NAME	1:1	00.00.0000	00	00

## **Rod Support Directions**

To practice, understand, and get a feel for what a well laid out drawing should look like, review the orthographic drawing of the Rod Support above. Make note of how width, height and depth dimensions transfer from one view to the next. Draft the Rod Support Drawing on the sheet given to you. When drafting focus on the following elements.

Centering the drawing within the drawing space.

Proper view spacing.

Line work: line weights, line quality, line consistency, dash sizes.

Proper arrowheads

Good template or compass work.

Proper lettering

Drawing neatness.