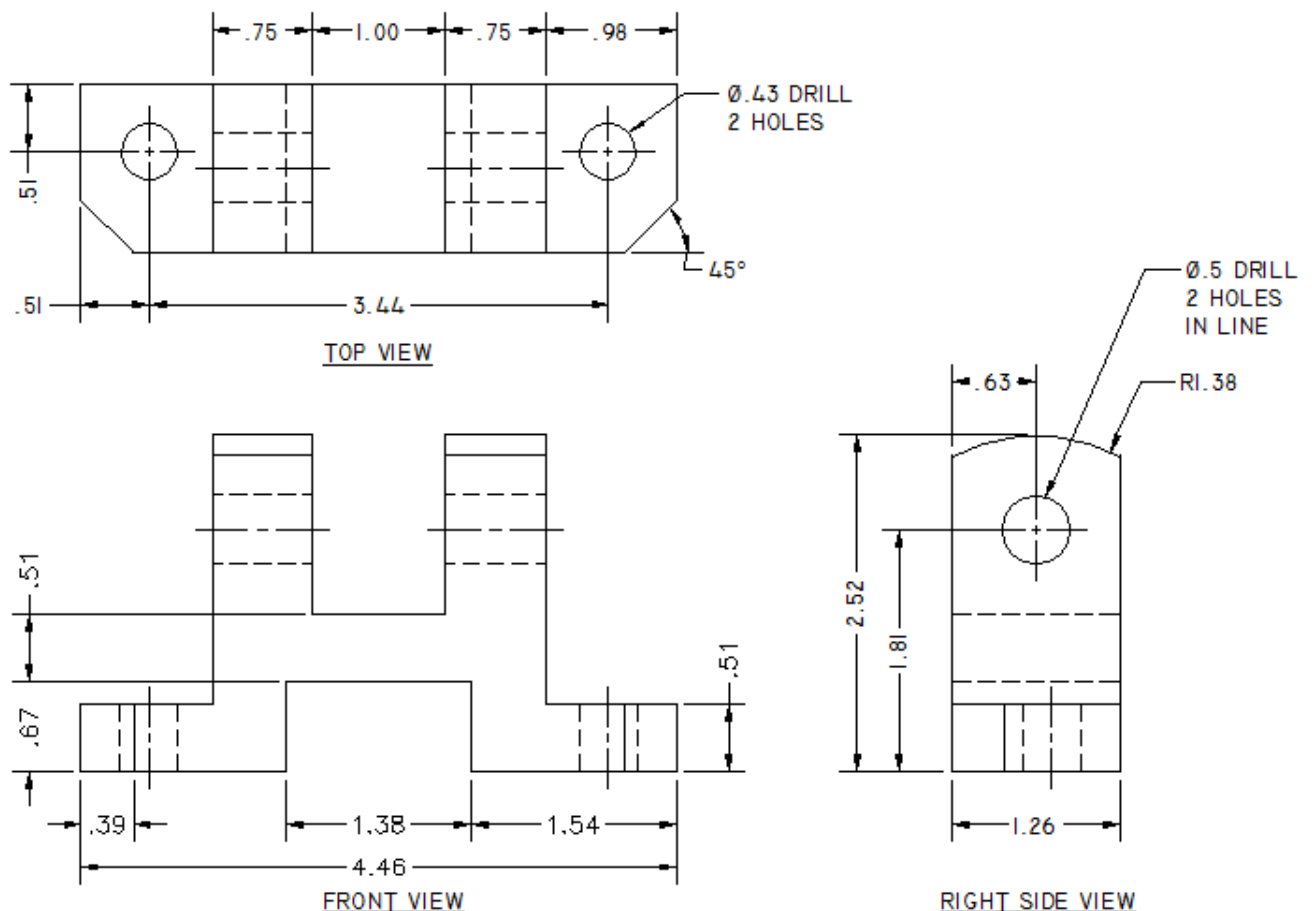
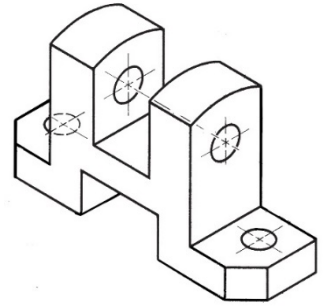


Rod Support Drawing- CAD

1. Open up your "BLANK DRAWING TEMPLATE-INCH"
2. Perform a Save-As and save the file as ROD SUPPORT- YOUR FIRST NAME LAST NAME in your Drafting folder.
3. In CAD draft the Rod Support inputting the correct dimensions and using the correct layers, Visible Line, Hidden Line Center Line, Title.
4. Center lines should project past the face of the object .125".
5. Label your views, TOP VIEW, FRONT VIEW, RIGHT SIDE VIEW using the 1-1 TITLE Size. You do not have to add dimensions to your drawing.
6. Set your drawing up into Paper Space, fill out the title block as needed and plot from paper space.
7. Optional: Using a colored pencil, draw lines on your drawing **proving** that your views align and elements are all drawn the same size. If they don't go back and fix your drawing before turning in.
8. Have a partner **red-mark** your drawing for you. Be sure your partner puts their name on it.
(Example- Checked by: Cindy Smith) Revise your drawing **as you feel** needed per their **red-marks**
9. Turn your final drawing and the red-marked sheet into the In Bin.



DRAWING TITLE	DRAWN BY	SCALE	DATE	FILE	ID.
ROD SUPPORT	FIRST AND LAST NAME	1:1	00.00.0000	00	00

A		Preparing to Draw: Basic Drawing and Dimensioning Skills
	1	Measure lines, angles, and geometric features
	2	Identify drawing views and details
	3	Identify assembly drawings, detailed drawings, and other drawings by type
	4	Identify revisions and apply engineering change information
	5	Identify and create line types
	7	Complete title block and apply reference information
	9	Select and interpret scale and paper size
	10	Identify and operate design tools/instruments (CAD and/or manual)
D		Geometric Construction
	1	Draw lines and curved elements
	2	Construct perpendicular and parallel lines
	3	Construct tangent lines and arcs
F		Multiview Drawings
	1	Demonstrate knowledge of Multiview drawings
	2	Multiview projection (third angle and first angle)
	4	Identify common part features (fillets, rounds, draft angles, chamfers)