

Blueprint Reading Activity 5-BPR-2
MATCHING VIEWS

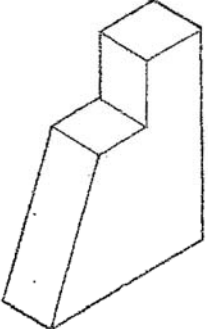
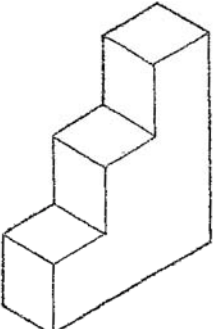
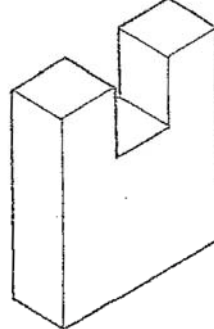
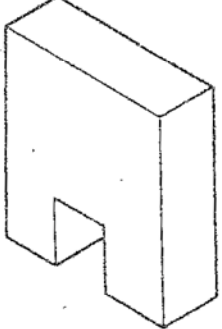
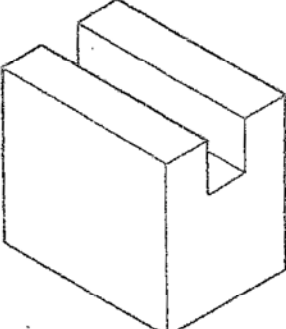
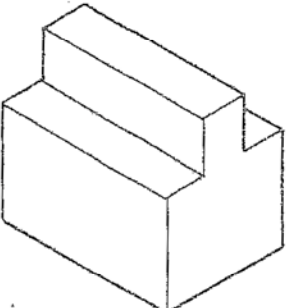
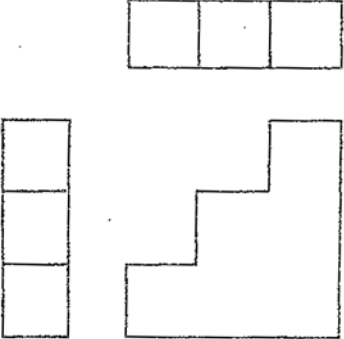
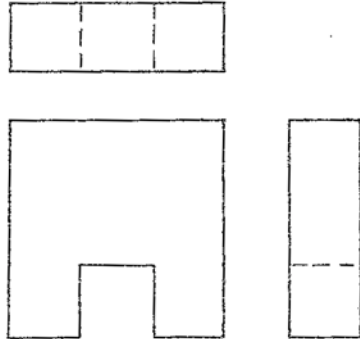
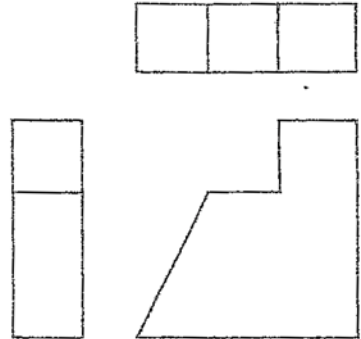
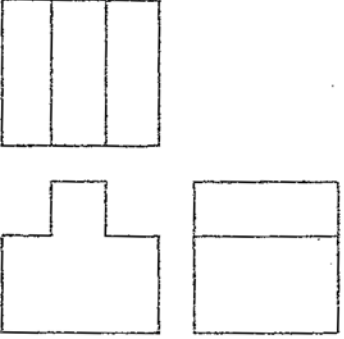
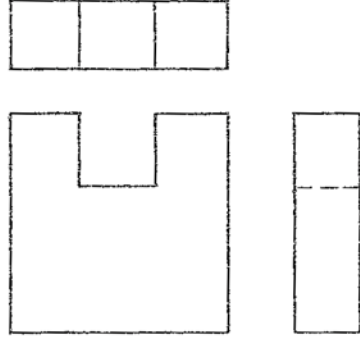
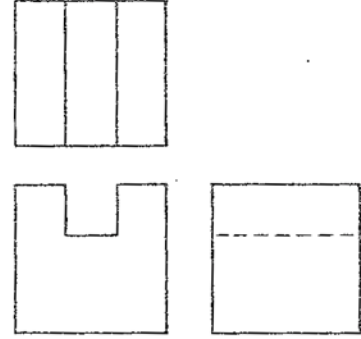
<p>A</p> 	<p>B</p> 	<p>C</p> 
<p>D</p> 	<p>E</p> 	<p>F</p> 
<p>1</p> 	<p>2</p> 	<p>3</p> 
<p>4</p> 	<p>5</p> 	<p>6</p> 

Fig. 5-BPR-2. Study the pictorial views and match each orthographic drawing with its pictorial drawing by inserting the correct letter in the space provided.

①

②

③

④

⑤

⑥

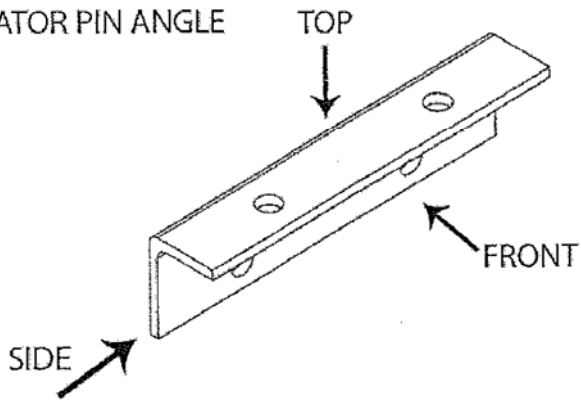
⑦

⑧

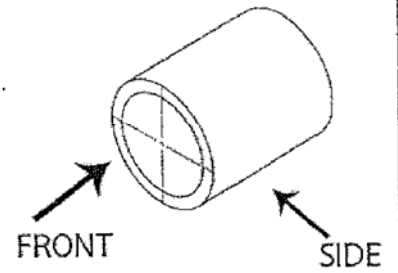
SKETCHING ORTHOGRAPHIC VIEWS

SKETCH THE NECESSARY ORTHOGRAPHIC PROJECTION VIEWS OF THE FOLLOWING OBJECTS. LABEL THE VIEWS.

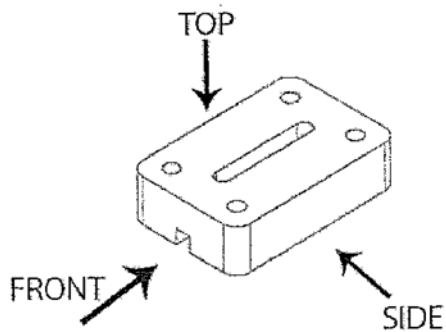
MODULATOR PIN ANGLE



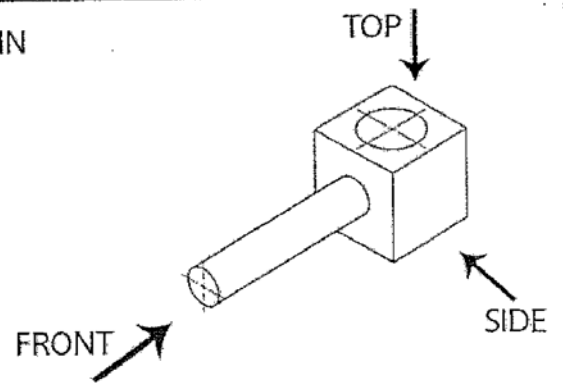
SPACER



SLOTTED PLATE



LOCKING PIN



①

②

③

④

⑤

⑥

⑦

⑧