

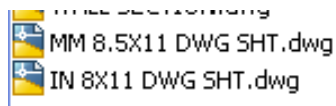
## Mech VS. Arch Week

### Mechanical Design: Part Drawing

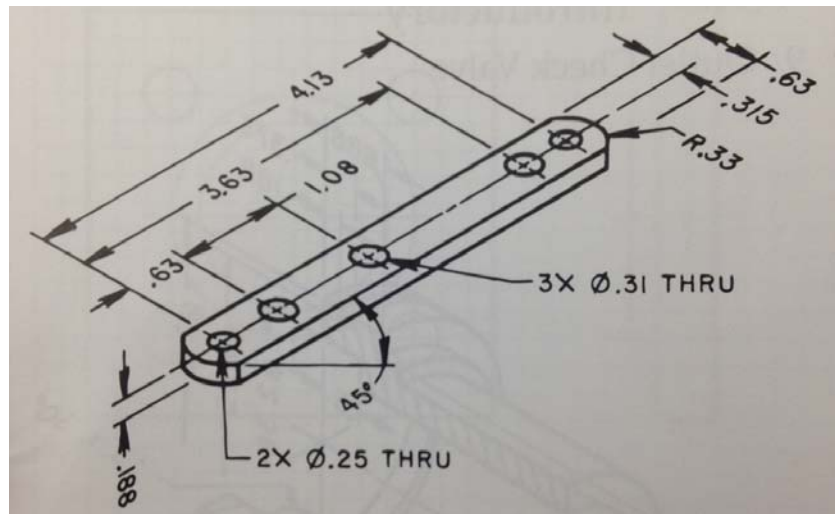
It is your choice whether you would prefer to draft a mechanical part or continue with a 3-D sketch up model of your cottage.

If you decide to draft a mechanical part, select the CAD file you feel is best for your project and save it in your DRAFTING folder. You would select an MM file if it is metric, and an IN file if the drawing is in inches.

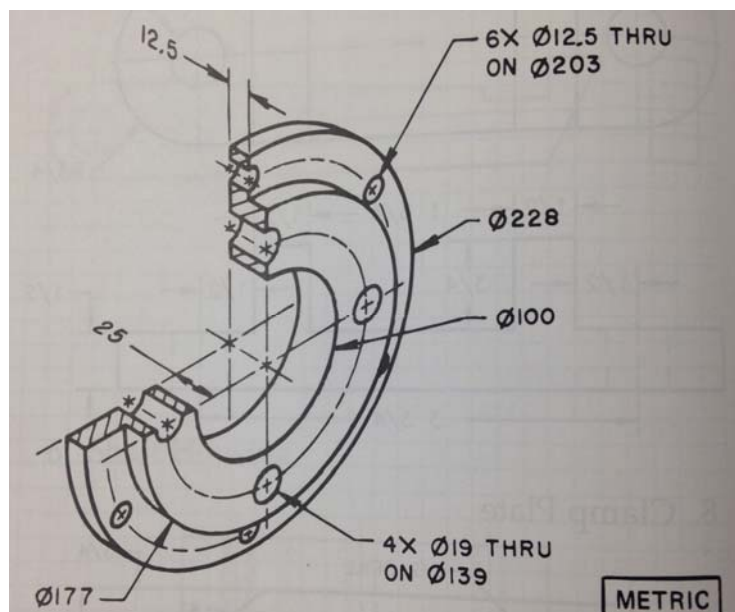
Y:\DOSSIN\DRAFTING AND ENGINEERING



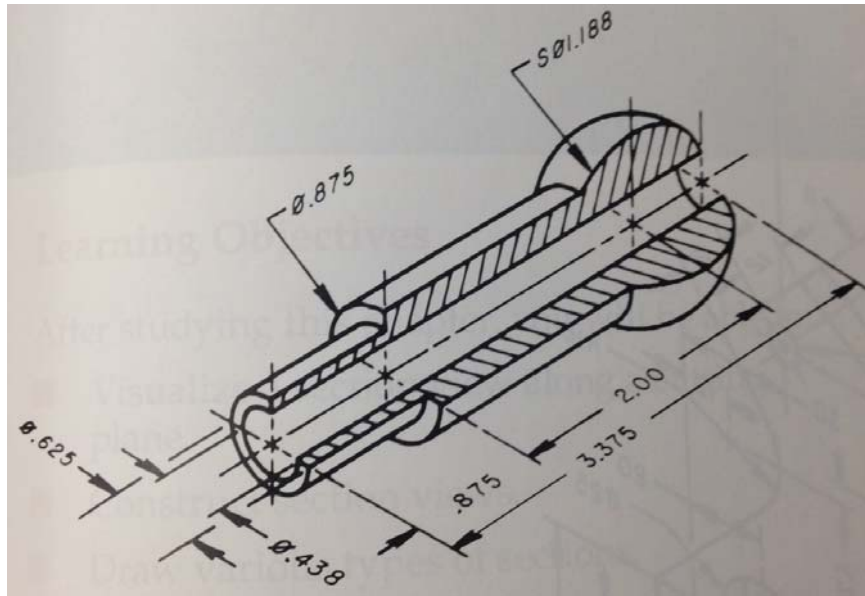
### Introductory: Can Opener Handle



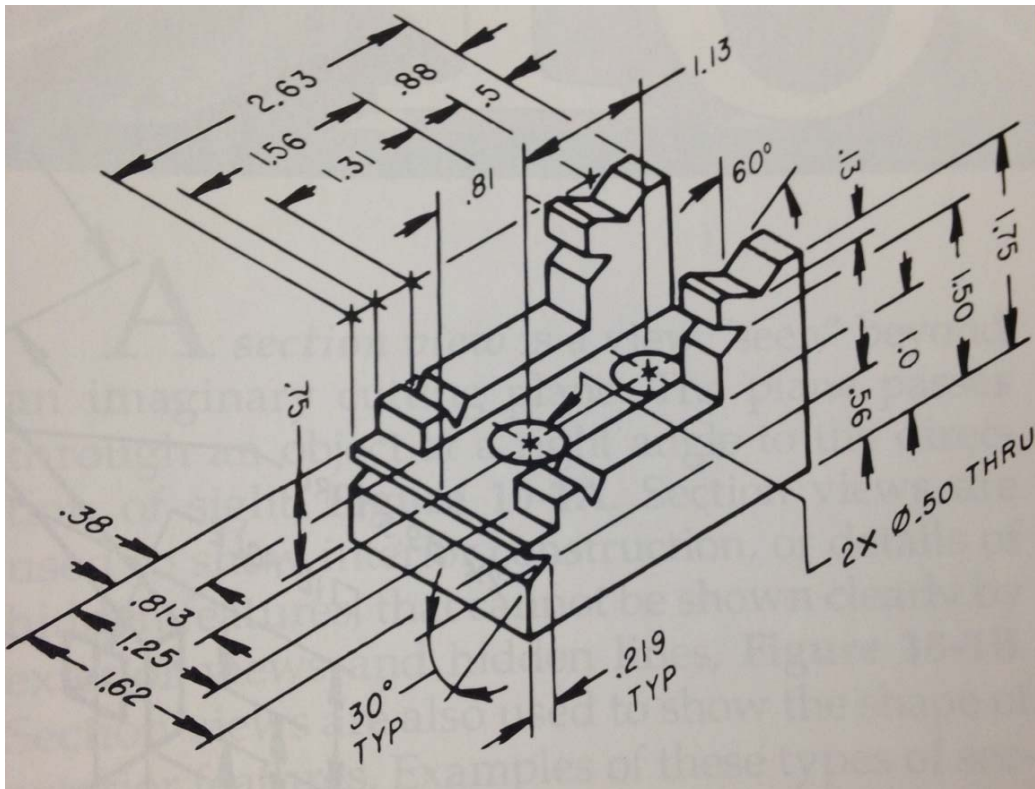
### Intermediate: Coupling Adapter



### Intermediate: Connecting Pump Link



### Advanced: Tool Block

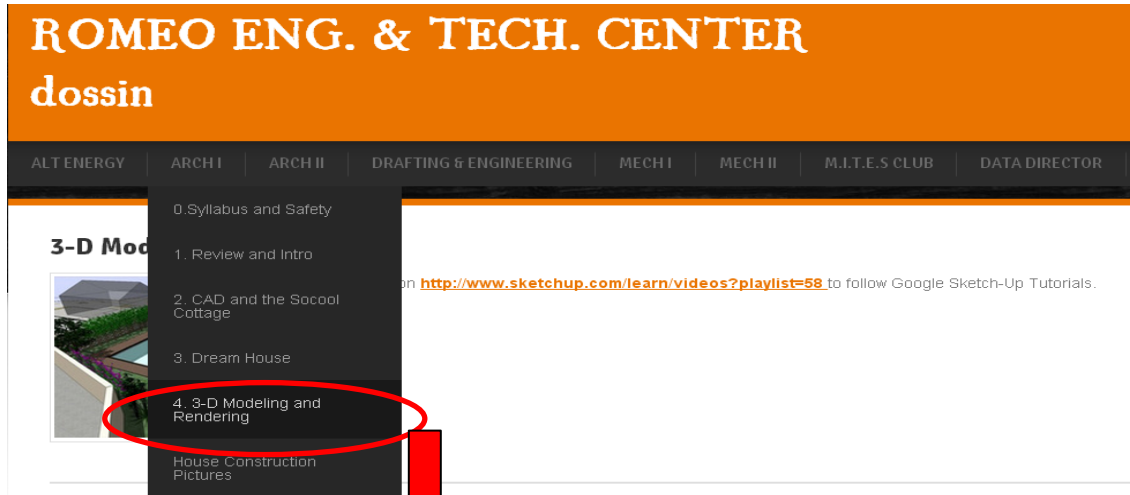


You may select any of the parts above. For the part(s) you select draft and dimension the necessary orthographic view. This means you only need to draw the views (*top, front, right, rear, left, bottom*) that are needed to describe the objects, (you want to be able to draw the fewest amount of views, but still have someone able to manufacture or build the part) Dimension and title your views.

Do as many parts as time allows.

## Architectural Design: Modeling your cottage in Google Sketch-Up

You may also select to model the exterior of your Cottage Design in Google Sketch-Up. If you are not familiar with the program but want to try it the basics will be shown in class. There are also very helpful Video Tutorials that will teach you the basics that will help you start your cottage design. You can find these on the [dossin.weebly.com](http://dossin.weebly.com) website, under the Arch I tab, “3-D Modeling and Rendering”.



### 3-D Modeling and Rendering



Click on <http://www.sketchup.com/learn/videos?playlist=58> to follow Google Sketch-Up Tutorials.

Once you go through some of the basic tutorials, start modeling your cottage.

