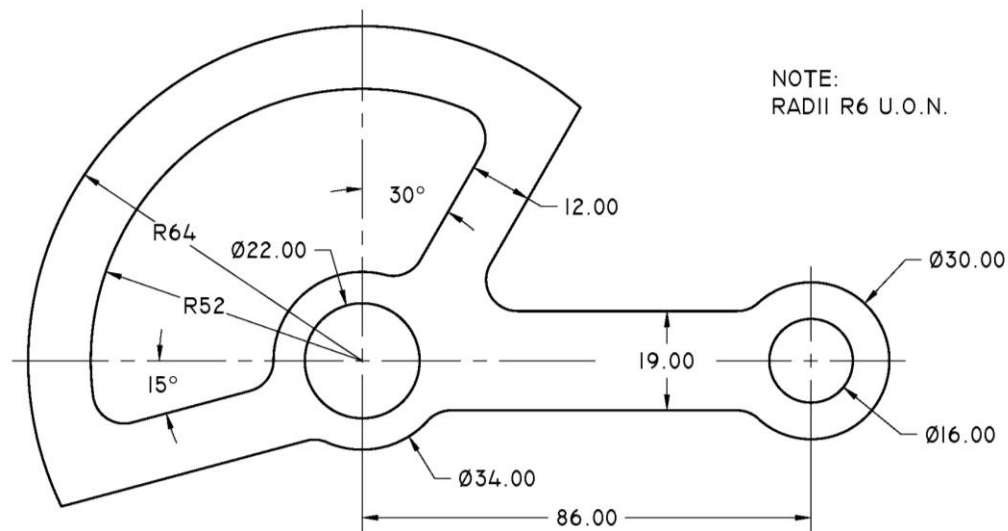


Gauge Arm

Directions:

1. Review the Gauge Arm below. Look at the shape, the dimensions, and the notes. Visualize the object to be sure you have a good mental picture of it.
2. Hand draft the drawing at full scale, with dimensions on an A-size sheet of paper.
3. Properly position and center the view within the sheet.
4. It is highly suggested to first draft a "rough draft" of your drawing including the dimensions, and then go back and trace (*using tools still*) over this for the final copy.
5. Properly fill out the title block with required information.



METRIC

Standards: Measure lines, angles, & geometric features (d1) ID drawing views & details (d2) ID & create line types (d3) ID & create sketches (d4) Select & interpret scale & paper size (d9) ID & operate design tools/instruments (CAD &/ or manual) (d10) ID & read precision measurement tools (f1) Draw lines & curved elements (g1) Construct perpendicular & parallel lines (g2) Construct tangent lines & arcs (g3) Multiview projection (3rd & 1st angle) (I2) Locate & describe features (L1) Place local & general notes including fonts, lettering size, style, etc. (L6) ID measurements (L8)