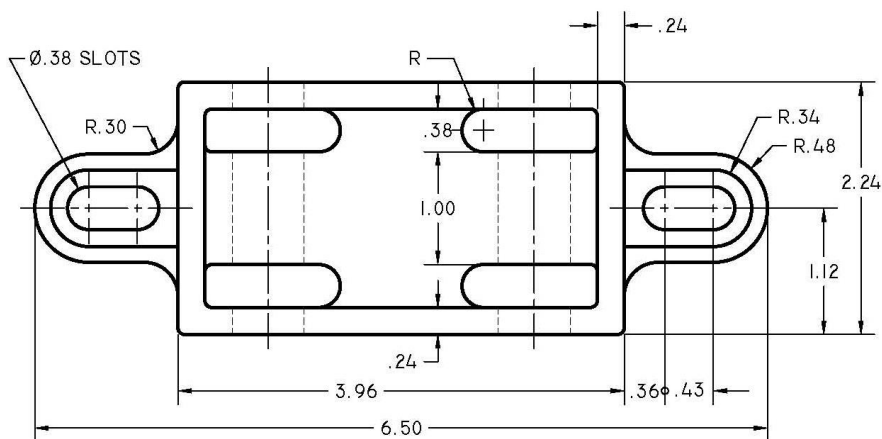


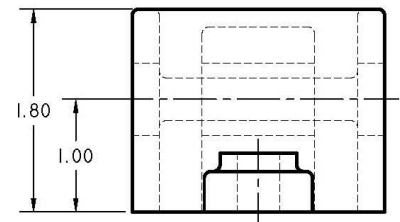
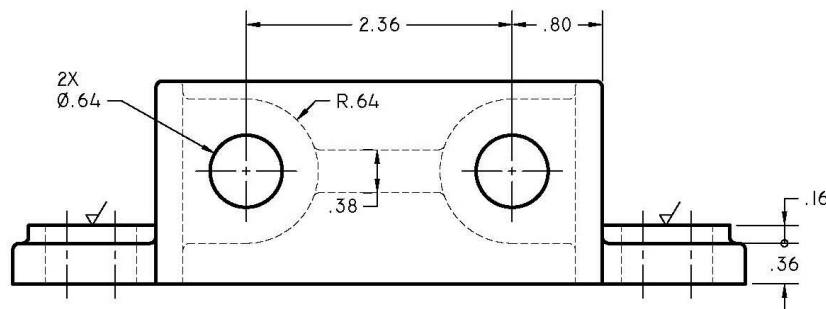
Gasket Review Drawing

Directions:

1. Review the orthographic Gasket Drawing below. Look at the shape, the dimensions, and the notes. Visualize the object to be sure you have a good mental picture of it.
2. Hand-draft this at FULL scale on a B-size sheet.
3. Properly position and center the object views within the sheet. Remember to “**Block Out**” your views first!
4. Focus on precise measurements, linetypes, lineweights, lettering and overall neatness.
5. Properly dimension and note your orthographic views.
6. Properly fill out the title block with required information.



ROUNDS AND FILLETS R.06
MATL- MALLEABLE IRON



Standards:

- D1: Measure lines, angles, and geometric features
- D2: Identify drawing views and details
- D5: Identify and create line types
- D7: Complete title block and apply reference information
- D9: Select and interpret scale and paper size
- D10: Identify and operate design tools/instruments (CAD and/or manual)
- G1: Draw lines and curved elements
- G2: Construct perpendicular and parallel lines
- G3: Construct tangent lines and arcs
- I1: Demonstrate knowledge of multiview drawings
- L3: Identify finished surfaces
- L6: Place local and general notes including fonts, lettering size, style, etc.