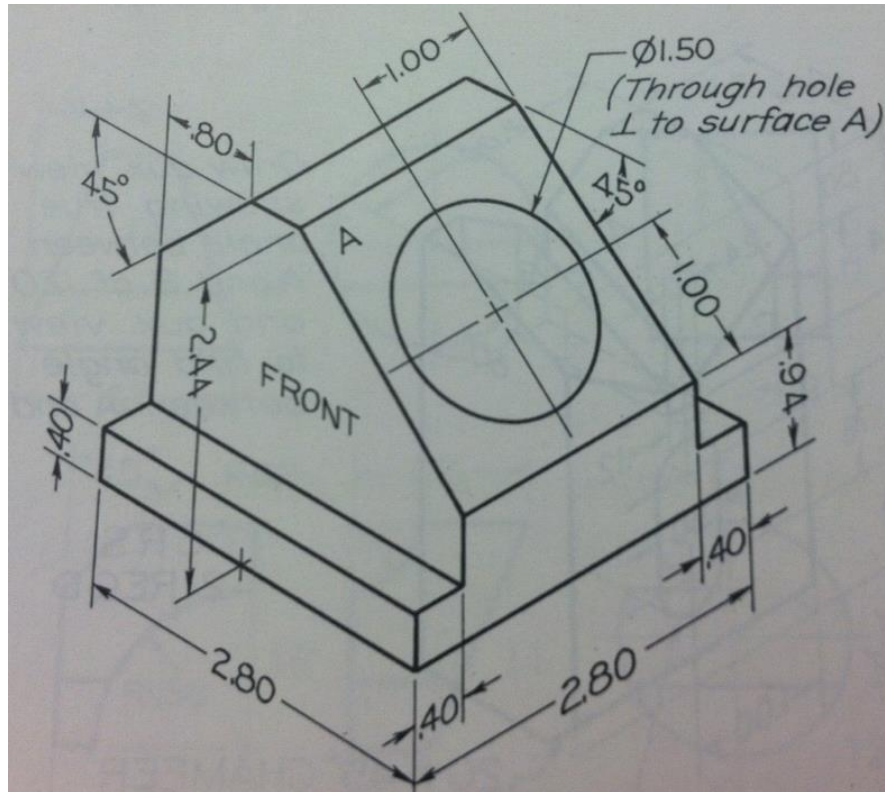


Auxiliary View Drawing- Holder Block



Draw the front, right and top views. Then complete an auxiliary view of the entire object showing the True Shape of surface A and all hidden lines. Select the page size that best fits the drawing. Dimension the drawing.