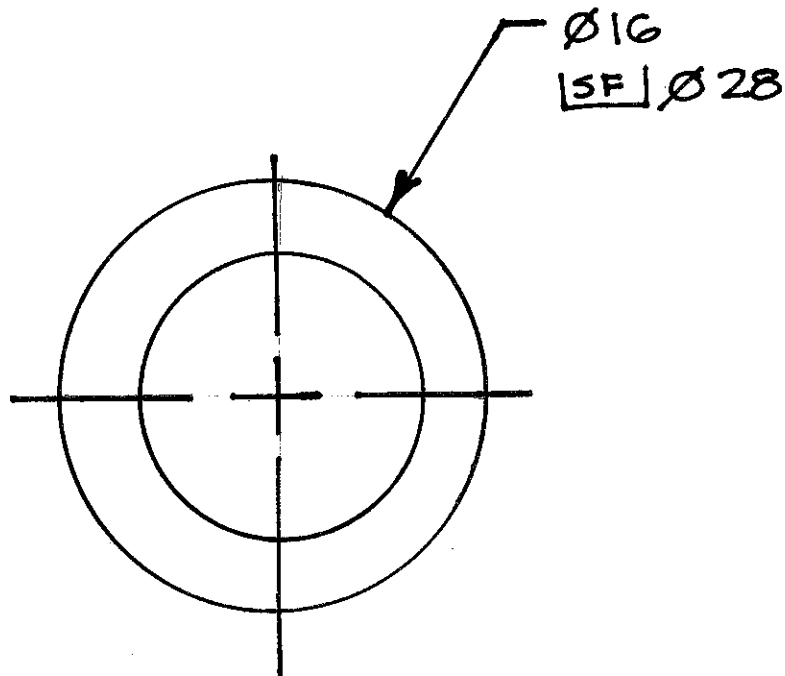


The



Do's and Don'ts of Dimensioning, # 43

HOLES TO BE DRILLED, BORED, REAMED, AND SO ON ARE  
SIZE-DIMENSIONED BY NOTES IN WHICH THE LEADERS  
PREFERABLY POINT TOWARD THE CENTER OF THE CIRCULAR  
VIEWS OF THE HOLES. INDICATIONS OF MANUF. PROCESS  
MAY BE OMITTED FROM NOTES.



SKETCHED BY: JANE SMITH