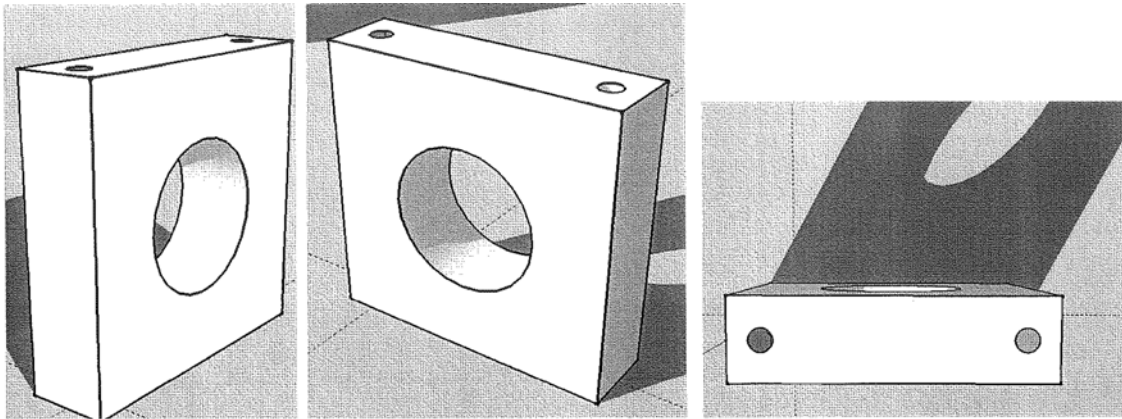
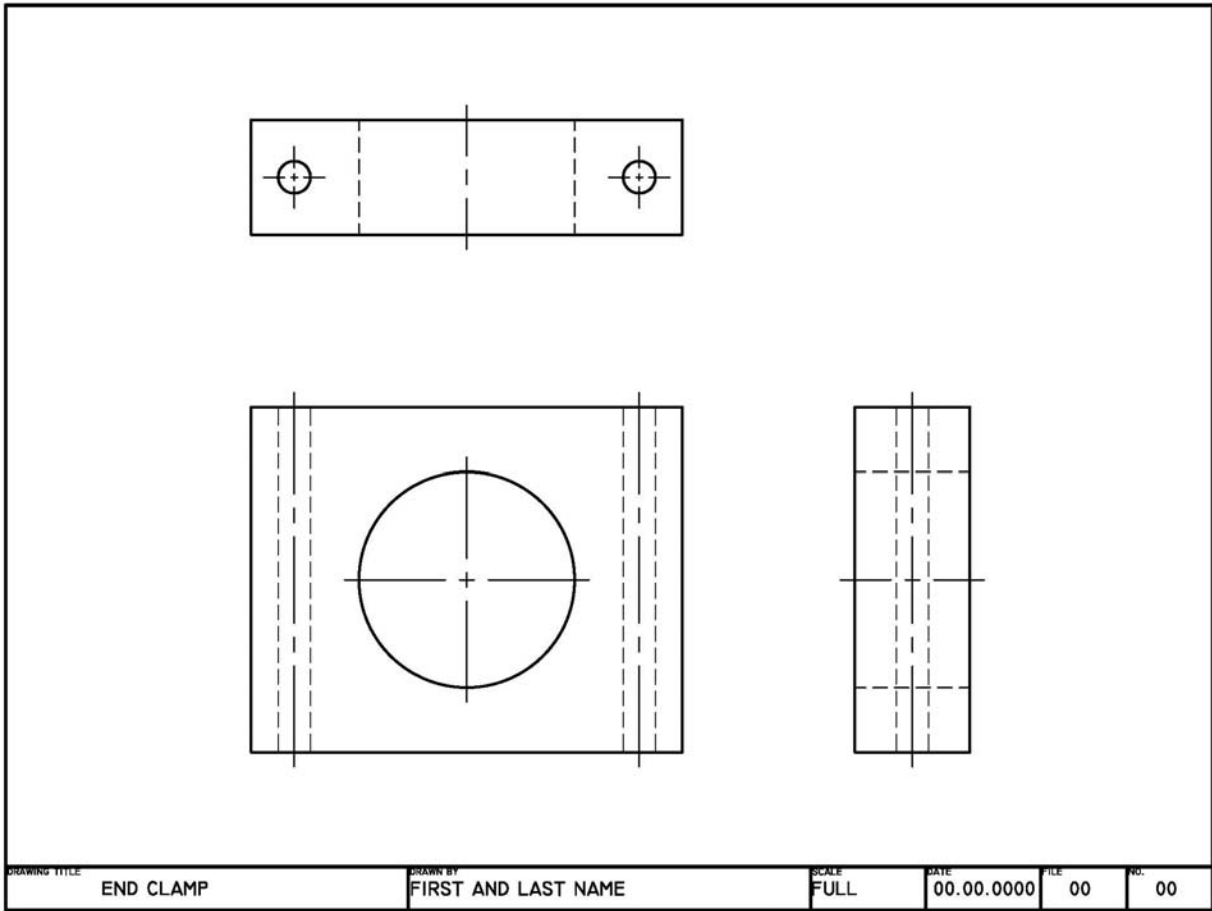
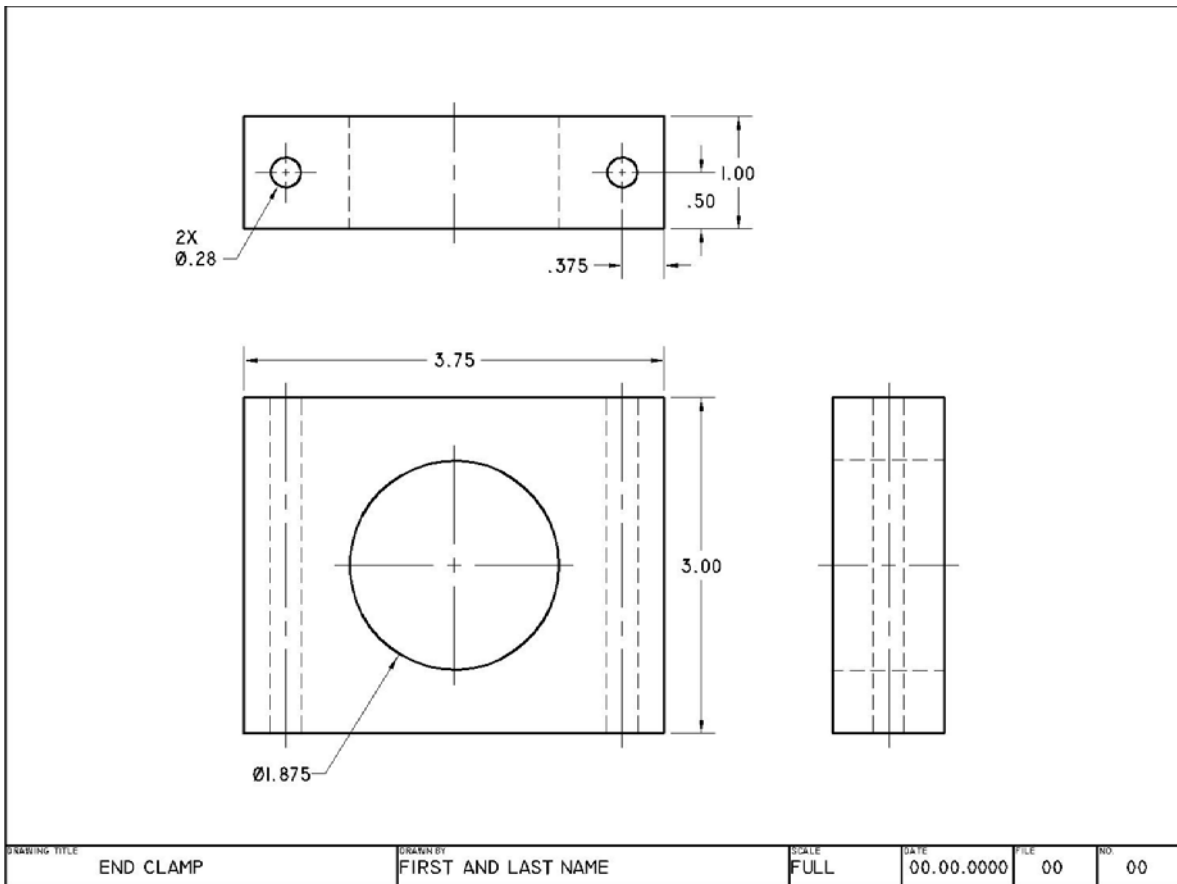


END CLAMP



Draft the three views of the END CLAMP part as shown above on an A-size sheet. In class we discussed how the three views align with one another, are equally spaced from one another and are centered within the drawing space. We also reviewed the required dimensions of the object and how to read a decimal scale.



Key elements to keep in mind while drafting:

- Center the three views within the drawing space
- Properly space the views between one another
- Line work: Proper line weights, line quality, line consistency, dash sizes
- Correct measurements
- Proper lettering
- Good template or compass work
- Overall neatness of the drawing