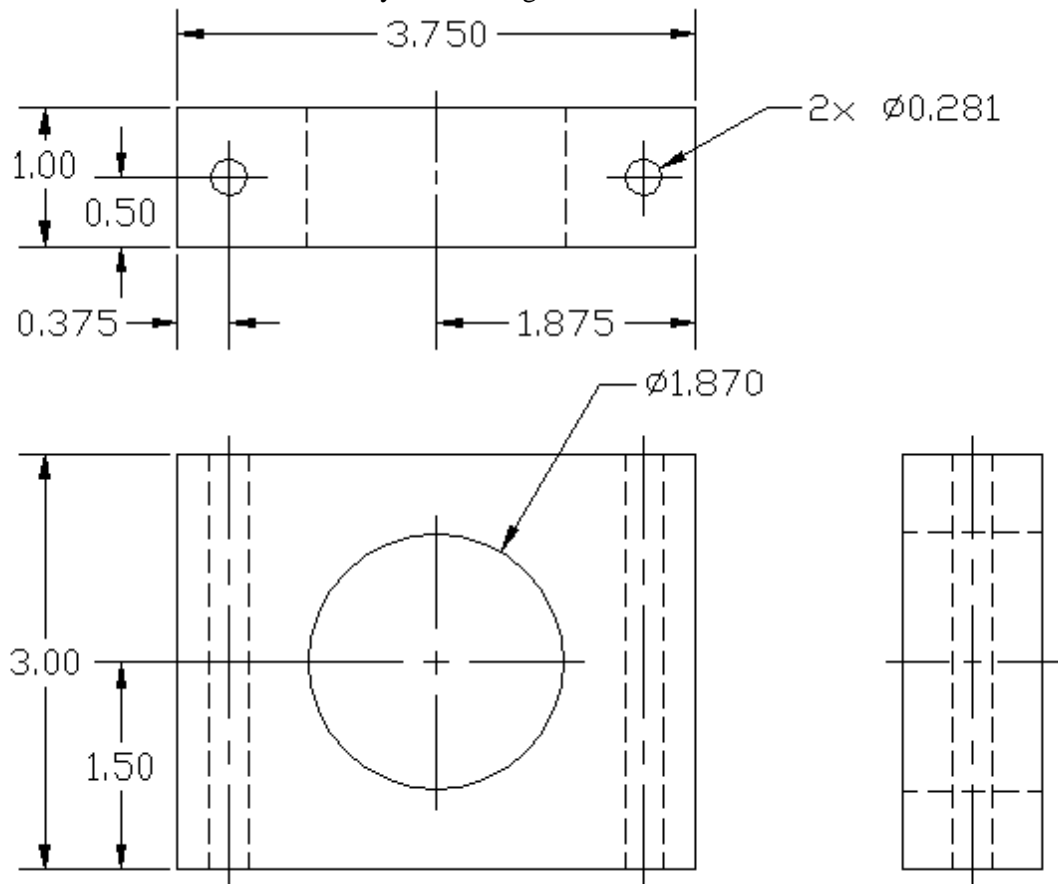
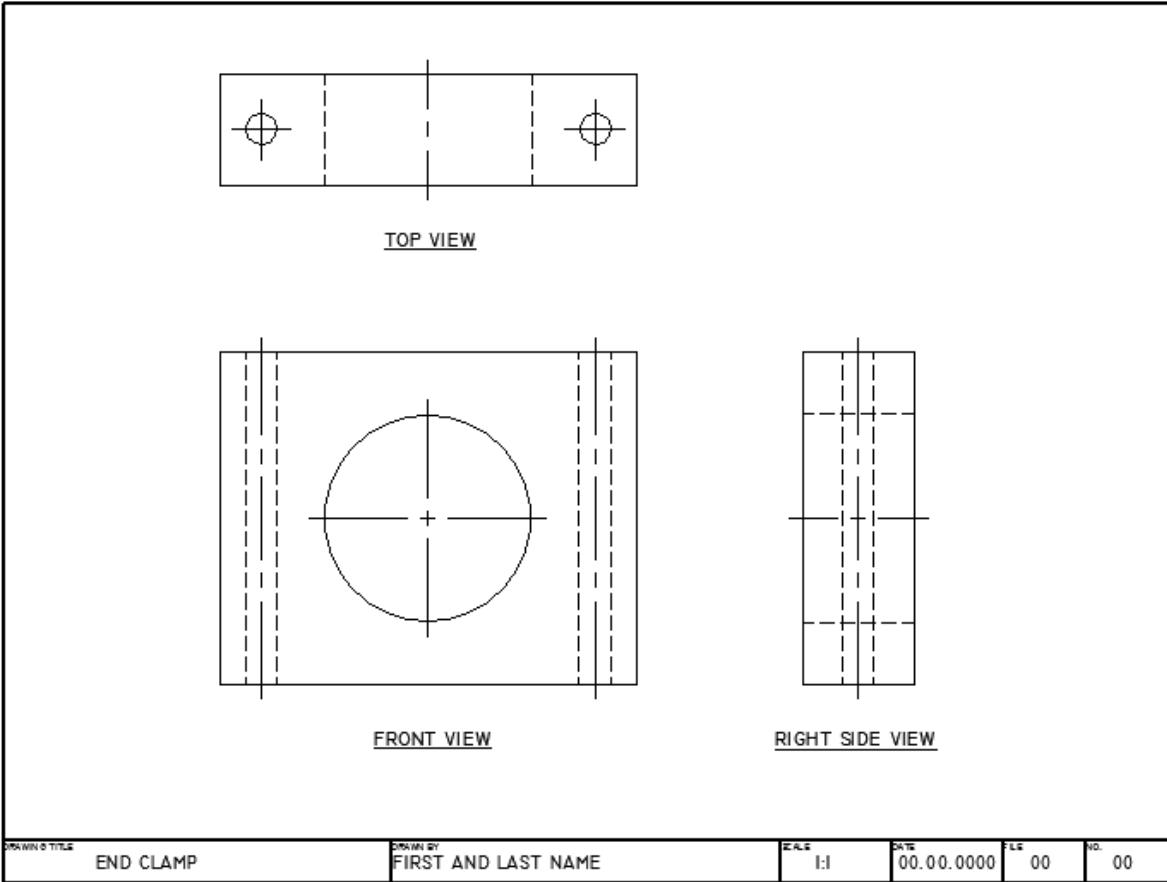


End Clamp Drawing- CAD

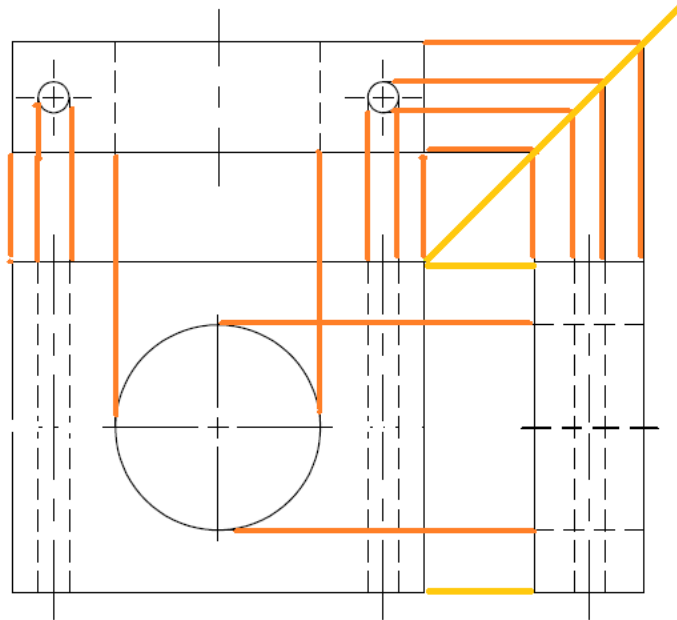
1. Open up your "BLANK DRAWING TEMPLATE-INCH"
2. Perform a Save-As and save the file as **END CLAMP- FIRST NAME LAST NAME** in your Drafting folder.
3. In CAD draft the End Clamp inputting the correct dimensions and using the correct layers, Visible Line, Hidden Line Center Line, Title.
4. Center lines should project past the face of the object .125".
5. Label your views, TOP VIEW, FRONT VIEW, RIGHT SIDE VIEW using the 1-1 Text Size.
You do not have to add dimensions to your drawing.



6. Set your drawing up into Paper Space, fill out the title block as needed and plot from paper space.
Your final drawing should look as what is shown below.



7. Using a colored pencil, draw lines on your drawing proving that your views align and elements are all drawn the same size. If they don't go back and fix your drawing before turning in.



8. Turn your drawing into the In Bin.