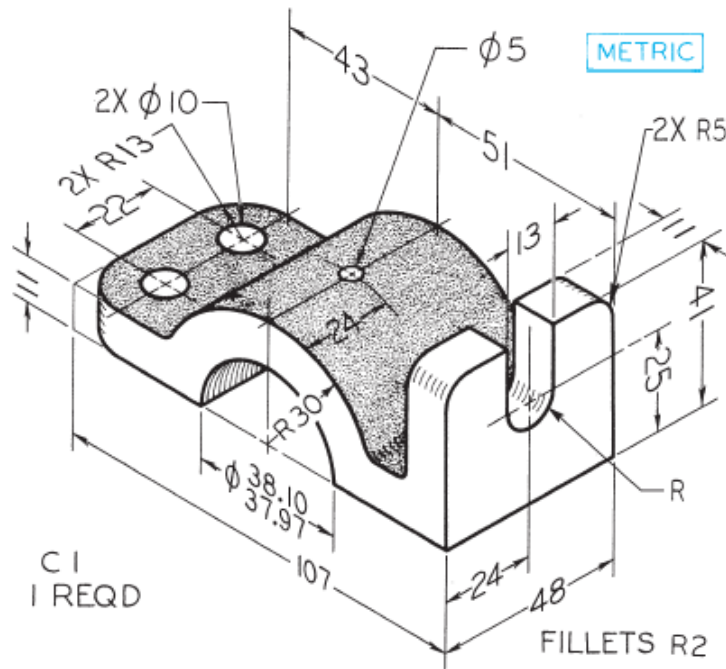


### Chapter 11 Dimensioning- Index Slide and Frame Guide

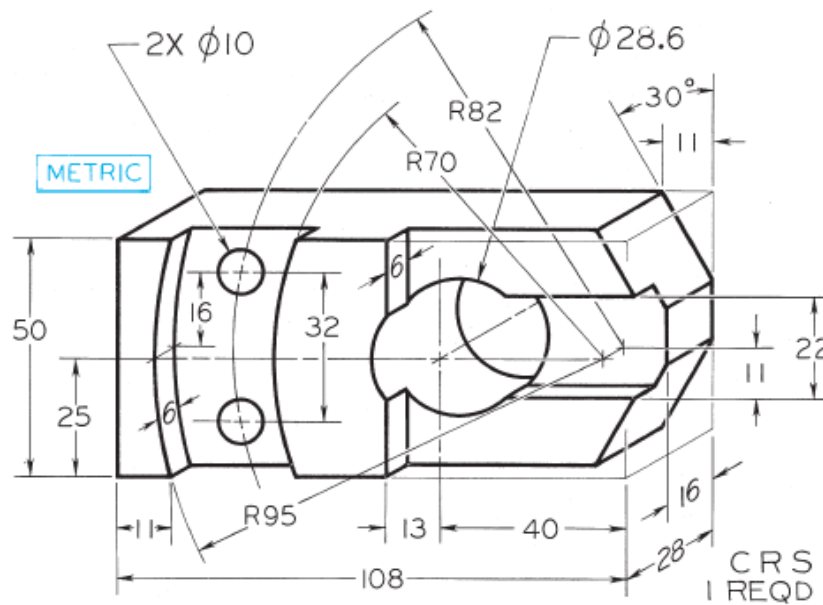
Shown below are two parts, Index Slide and Frame Guide. Using the correct template file, draw the three main views (Front, Top and Right Side) of the object. Properly dimension the views using what you have learned about dimensioning. Select the proper scale that would fit on an A-size sheet of paper when plotted. Be sure to also select the proper text and dimension style that matches the scale you selected.

**One Hour Students-** Select one of the objects to draft.

**Two Hour Students-** Draft both objects.



**FIGURE 6.71** Frame Guide.



**FIGURE 6.70** Index Slide.