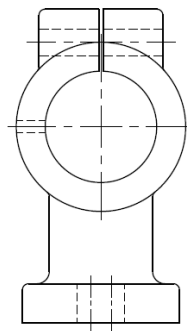
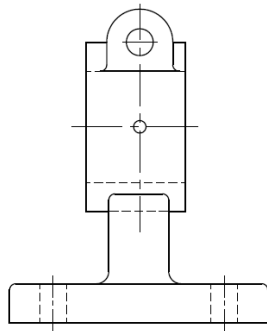
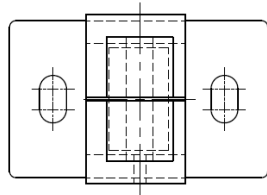
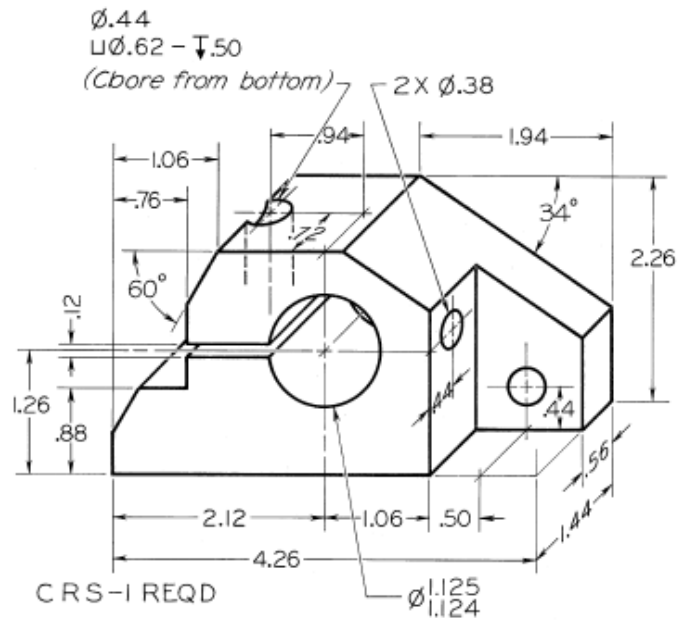


**FIGURE 6.114** Feed Guide.





**FIGURE 6.83** Clutch Lever.

