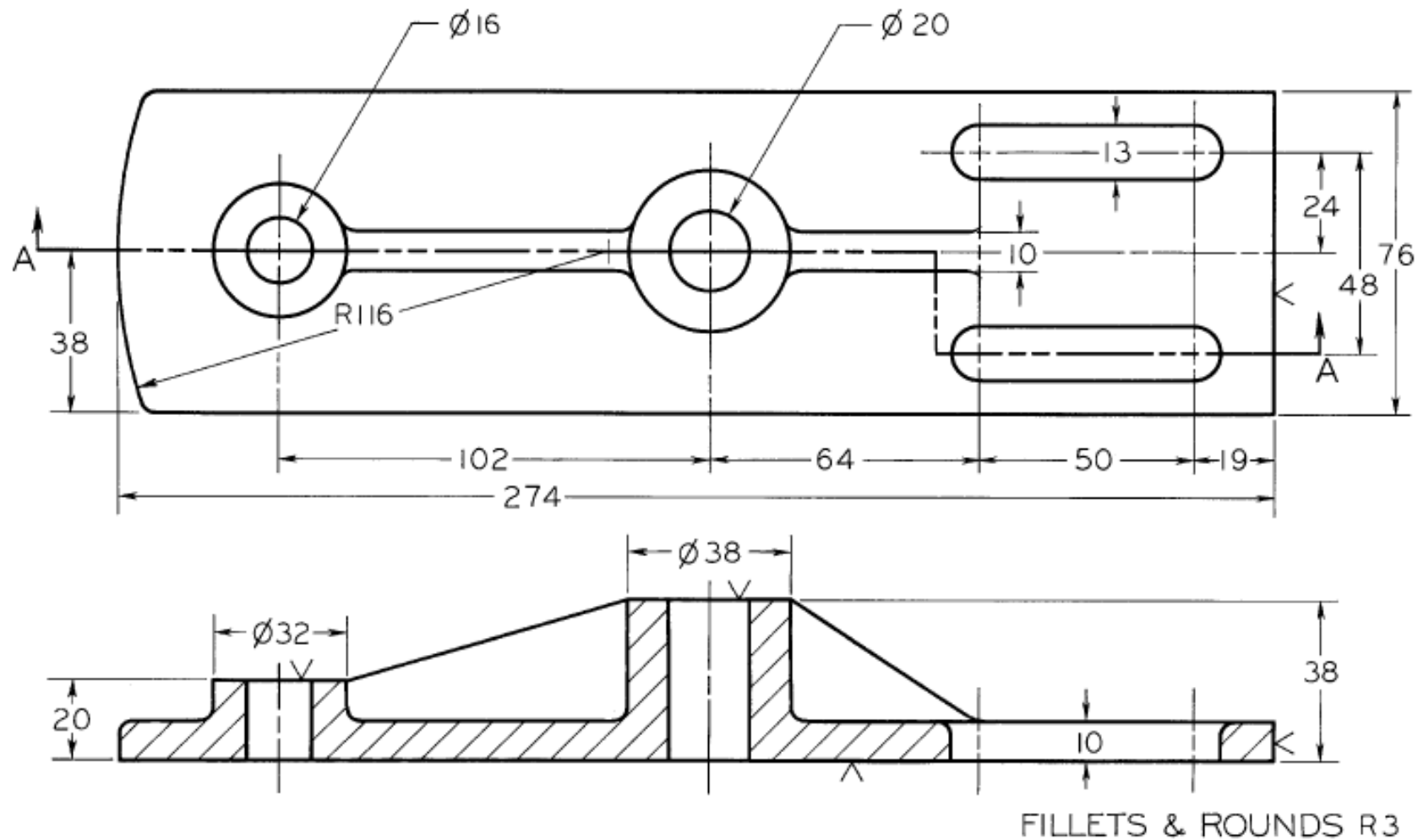


### Dimensioning Practice Drawing

Draft the Example Drawing for Dimensioning Technique shown below. Pay close attention to where you are placing the dimensions. Locate them around the object, per your class notes.

You will plot this drawing at 1:2 scale on an A-size sheet of paper so select the correct Text and Dimensioning sizes.



**FIGURE 11.1**

Dimensioning Technique. Dimensions in millimeters.