

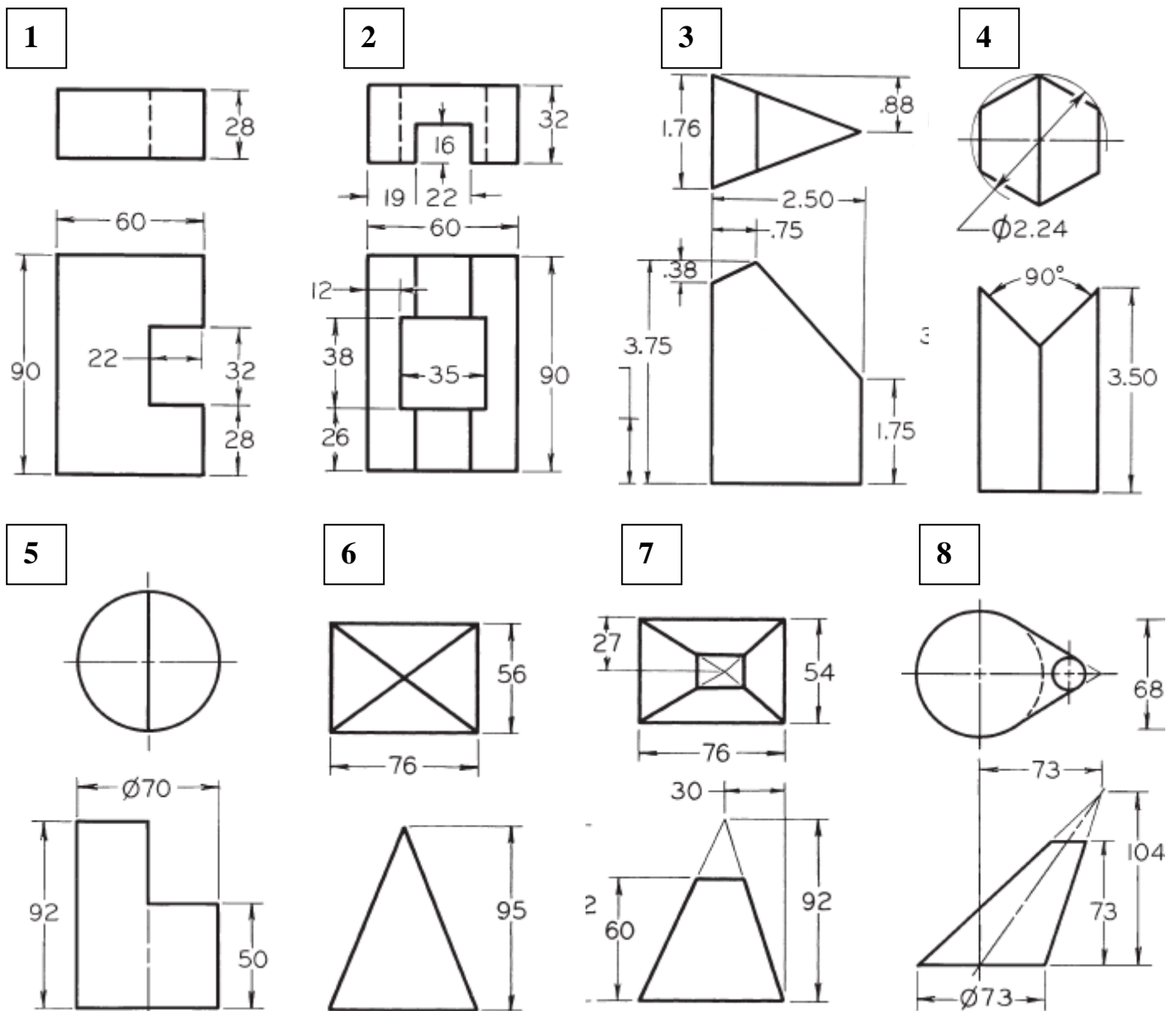
DEVELOPMENT DRAWING

Directions:

Step 1: Draw the given views of each object and its development. Insert each developments and its given views onto an A-size sheet at whatever scale best fits the object depending on its size. Note these drawings are all in metric and use your good drafting judgment on how many drawings can fit on one sheet. Print the sheets when complete.

Step 2: Print a second copy of one any one of the developments you drew and cut out your development and fold it to create it's 3D shape. Be sure your name is written on one of the faces. Your 3D folded shaped should be neat when put together.

Refer to your book for help.



METRIC