

Creating a Cardboard Development with Intersection

In class, we reviewed and explained how developments are created. Once complete with the explanation, each student must choose one of the forms from either page 616 or 617 (also shown below) to recreate a cardboard model from. Students will use the figures from the book of the shape they picked as a guideline, the difference is students must try to incorporate hems and joints into their development to help eliminate the raw edges as well as to stiffen the material. See Figure 19.3 for some examples of various hems and joints.

Important Points:

1. The object's development should not be any larger than an 8.5" X 11".
2. Draw the development in CAD with dimensions. Print out 2 copies, one which will be turned in flat and the other one will be used to transfer the drawn development to cardboard. Turn these two items in together along with this sheet.
3. Every student must do a different form. Please tell me the form number you selected before beginning. Be sure to include this form number in the title of your drawing.
(*Example: DEVELOPMENT: FIG 19.36-1*)

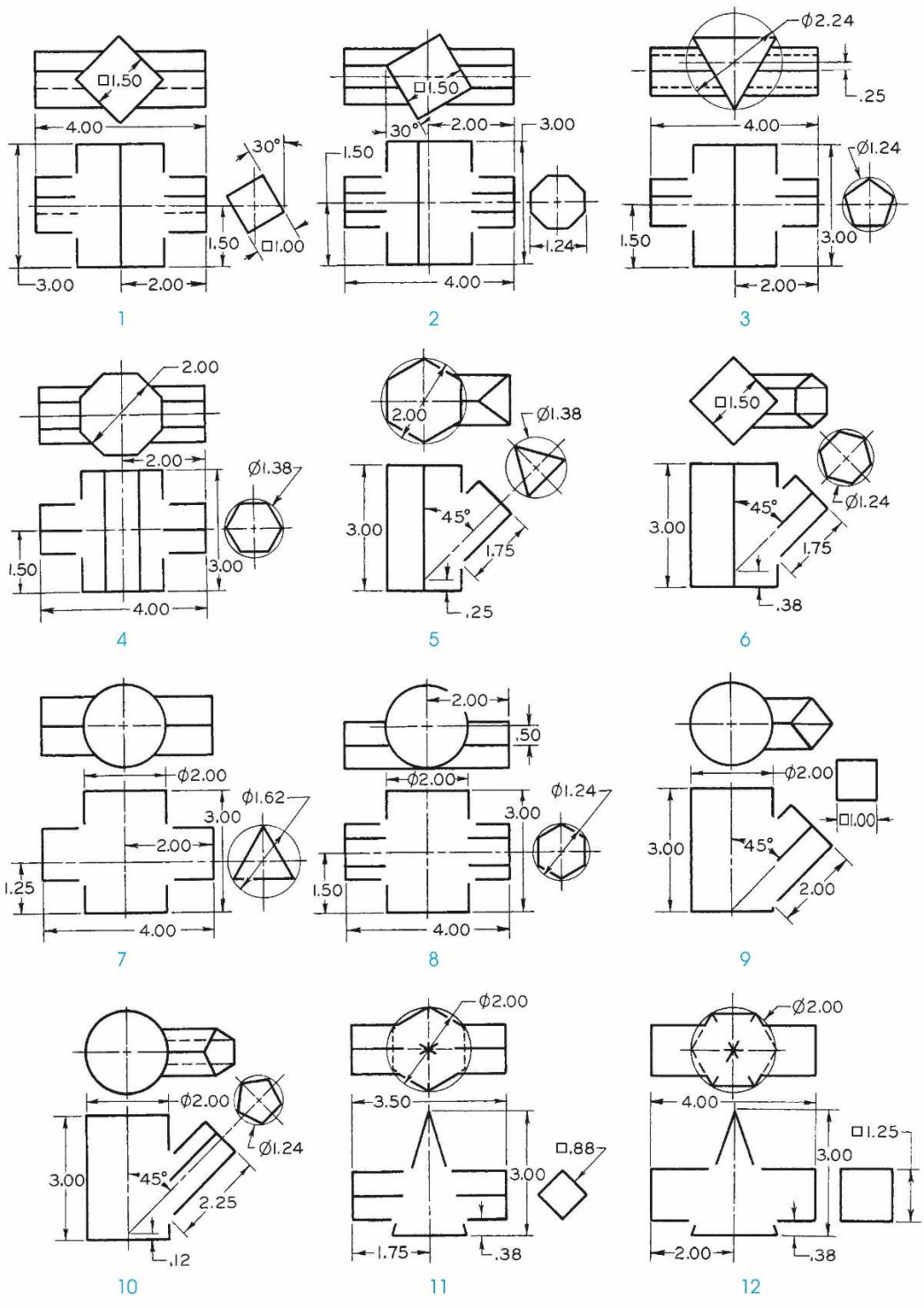


FIGURE 19.36 Draw the given views of assigned form and complete the intersection. Then develop late

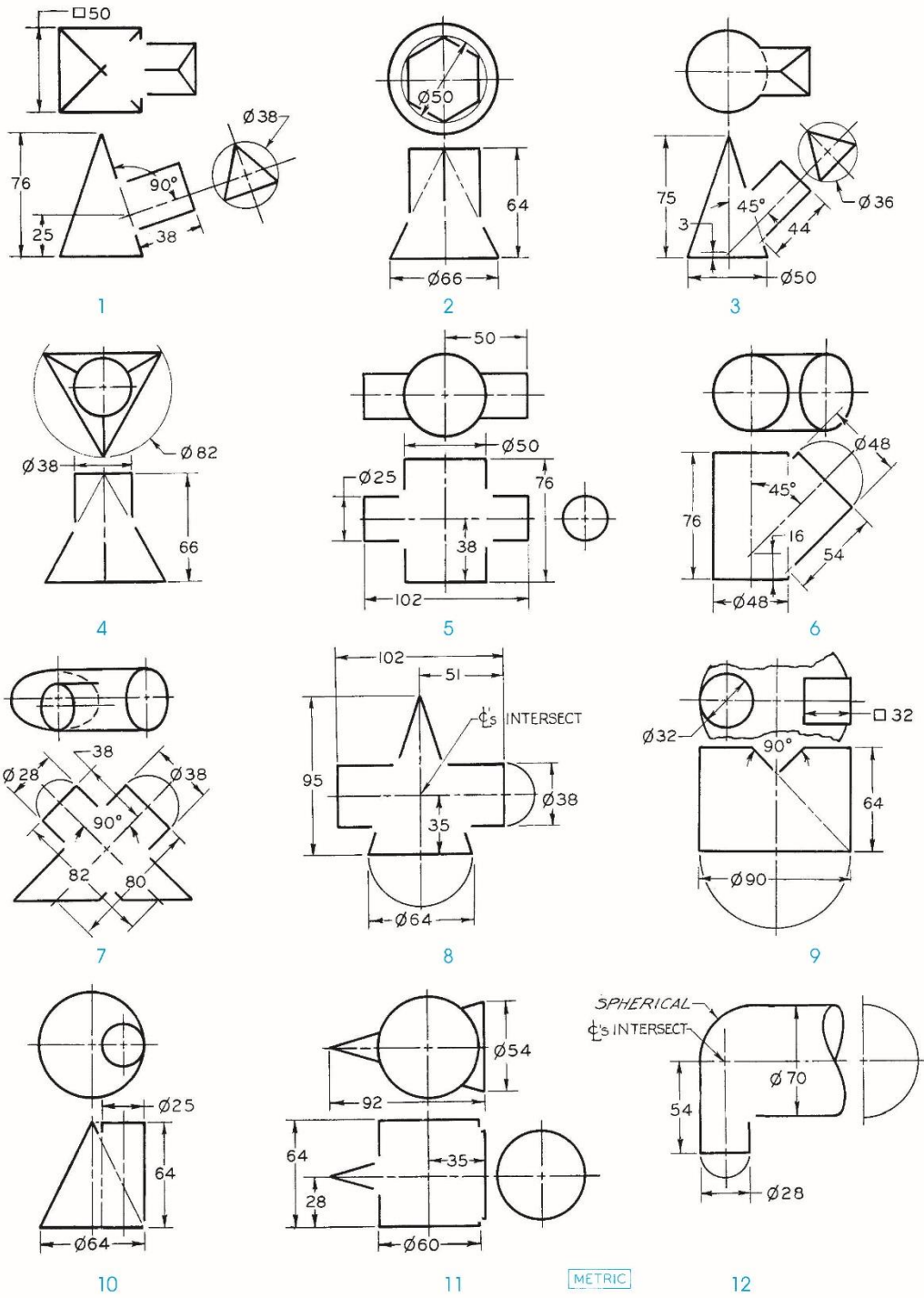


FIGURE 19.37 Draw the given views of assigned form and complete the intersection. Then develop late