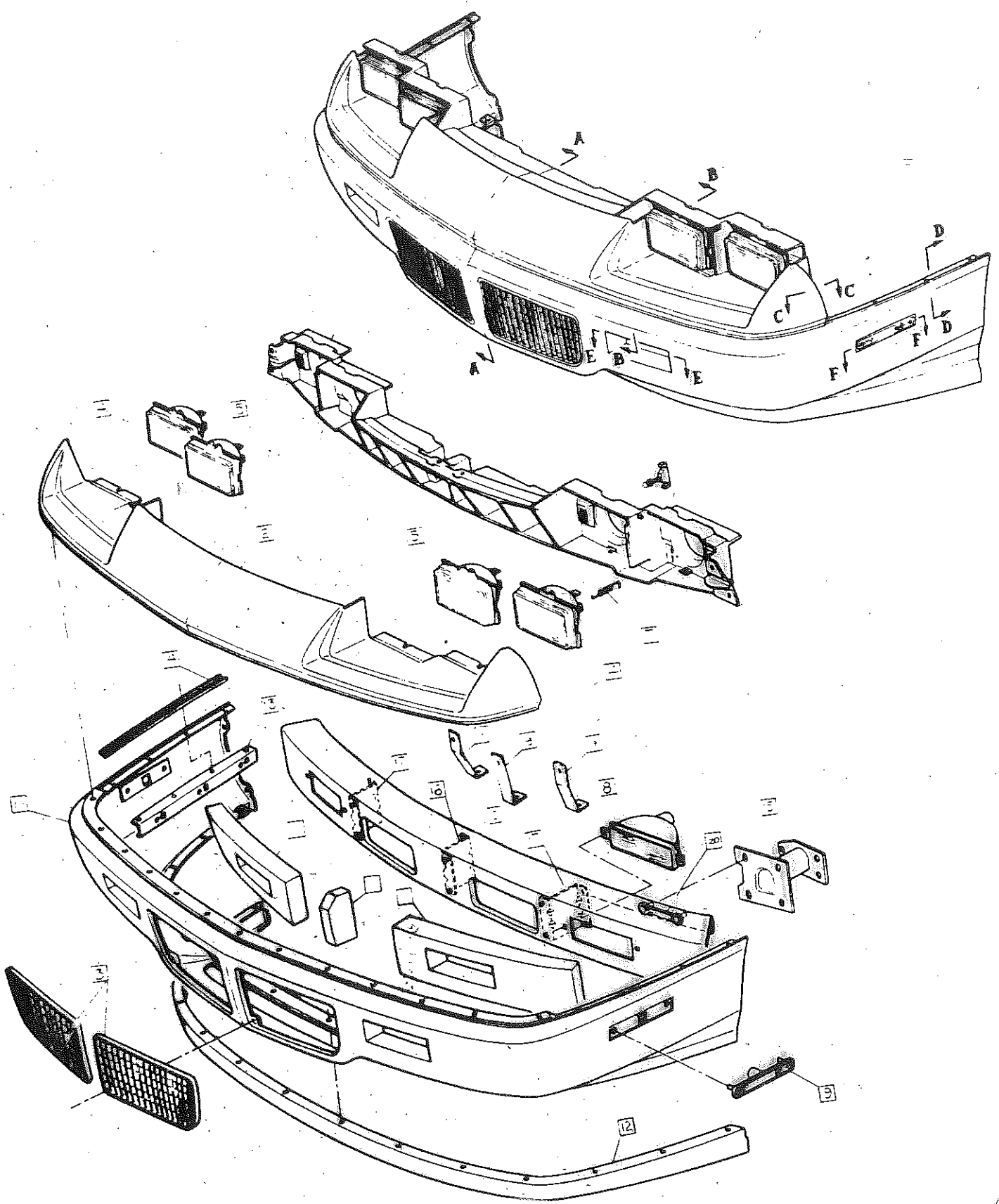
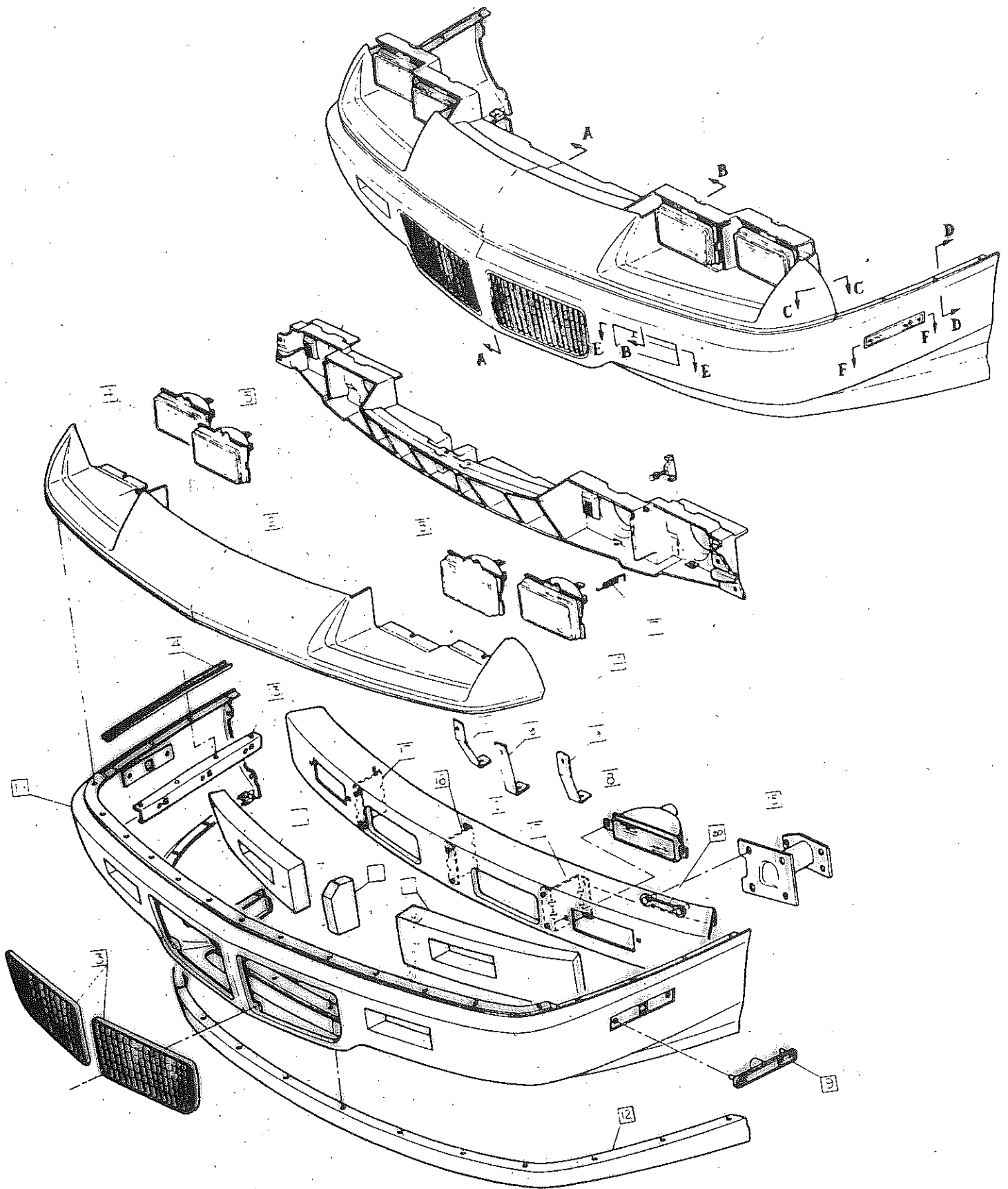
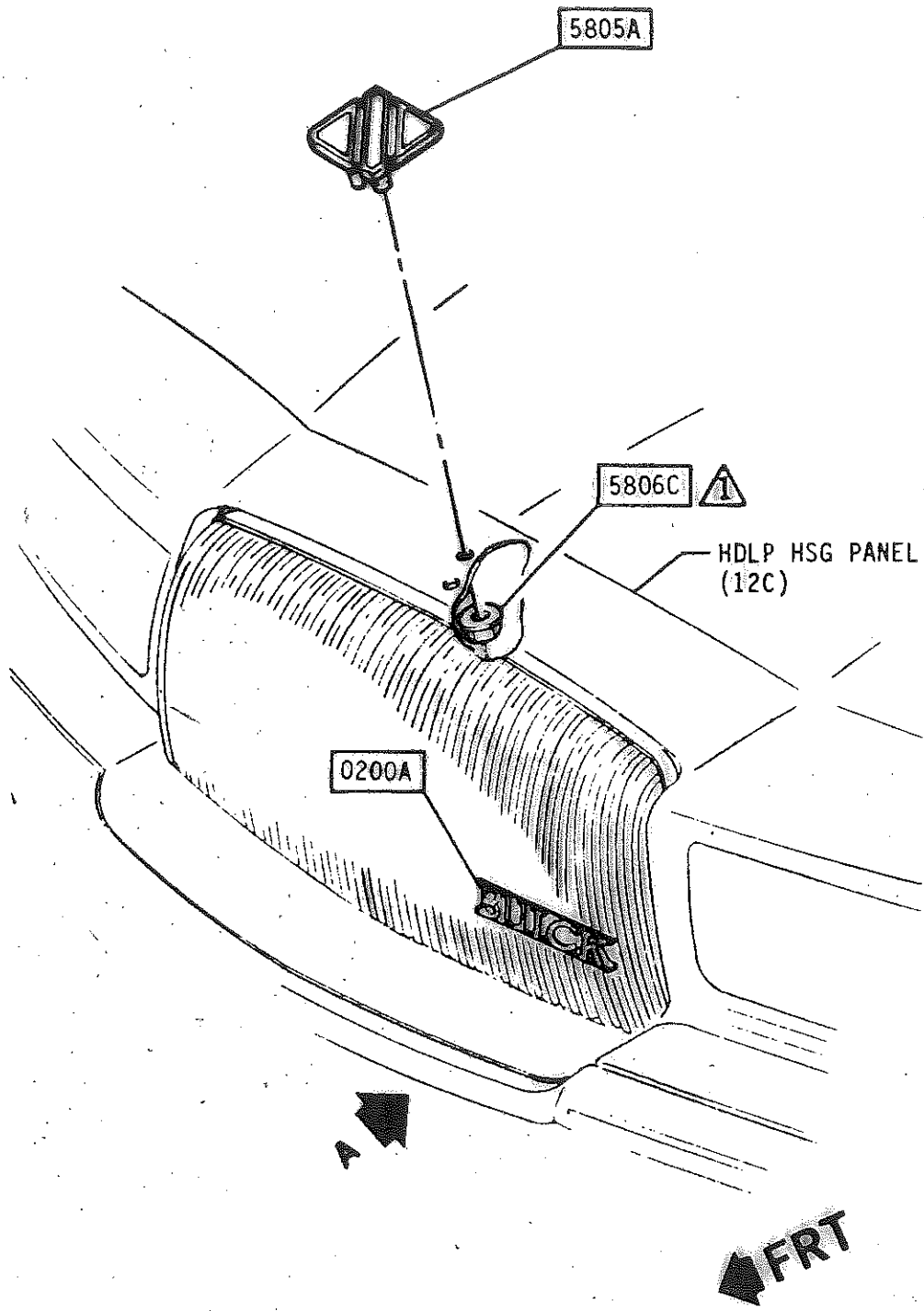


BUMPER & FASCIAS

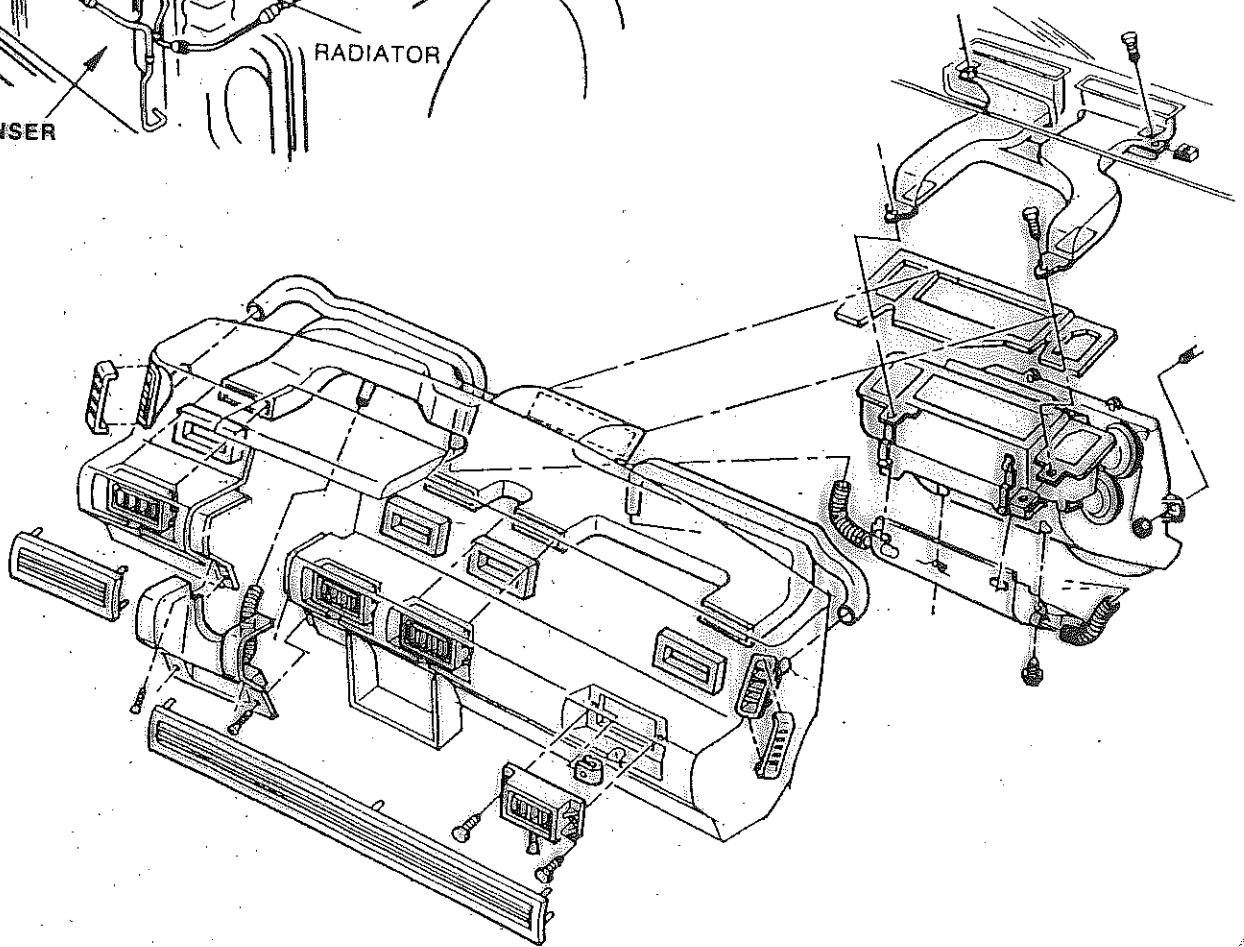
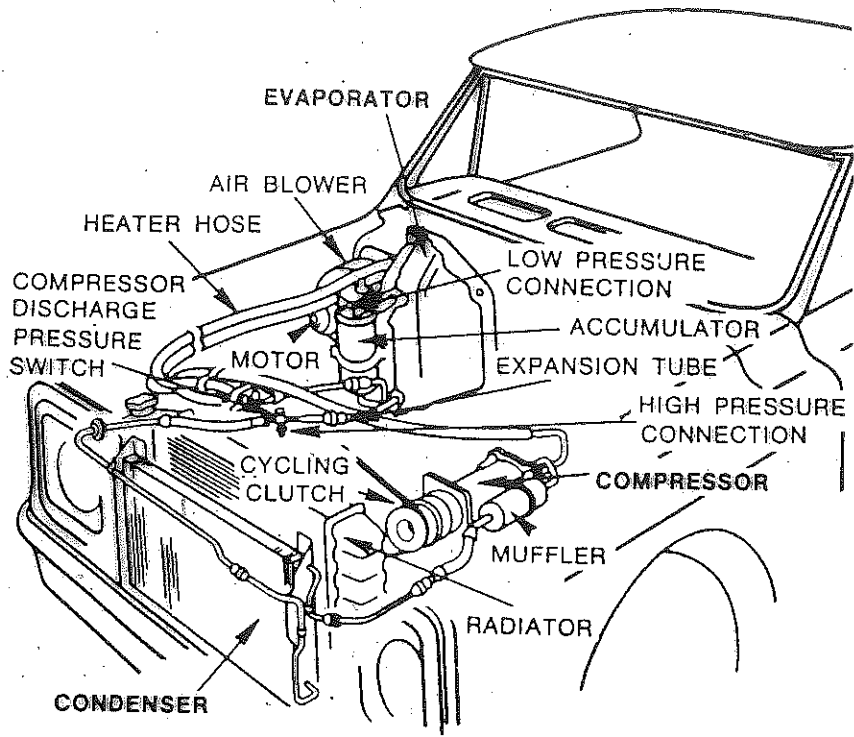


BUMPERS AND FASCIAS



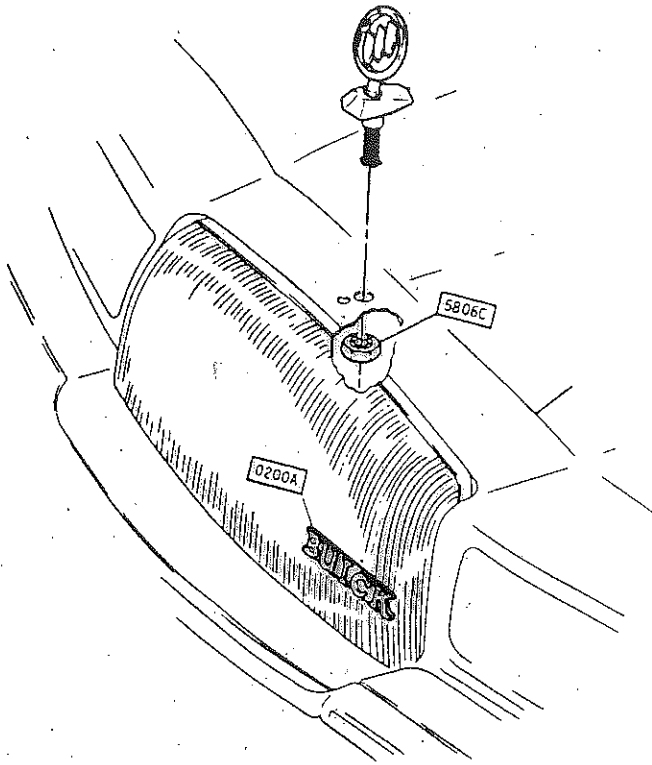


HVAC/EC

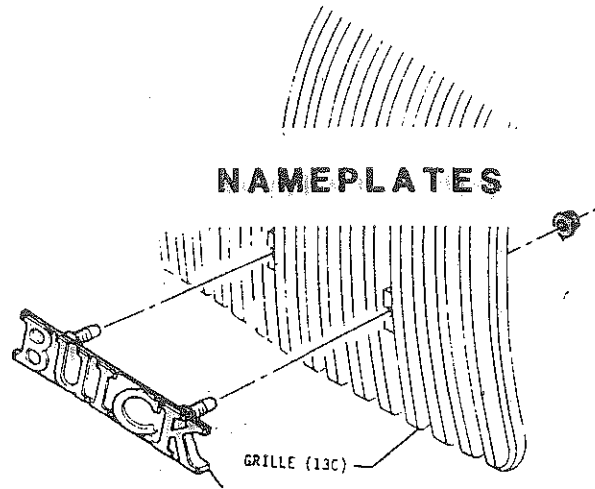


ORNAMENTATION

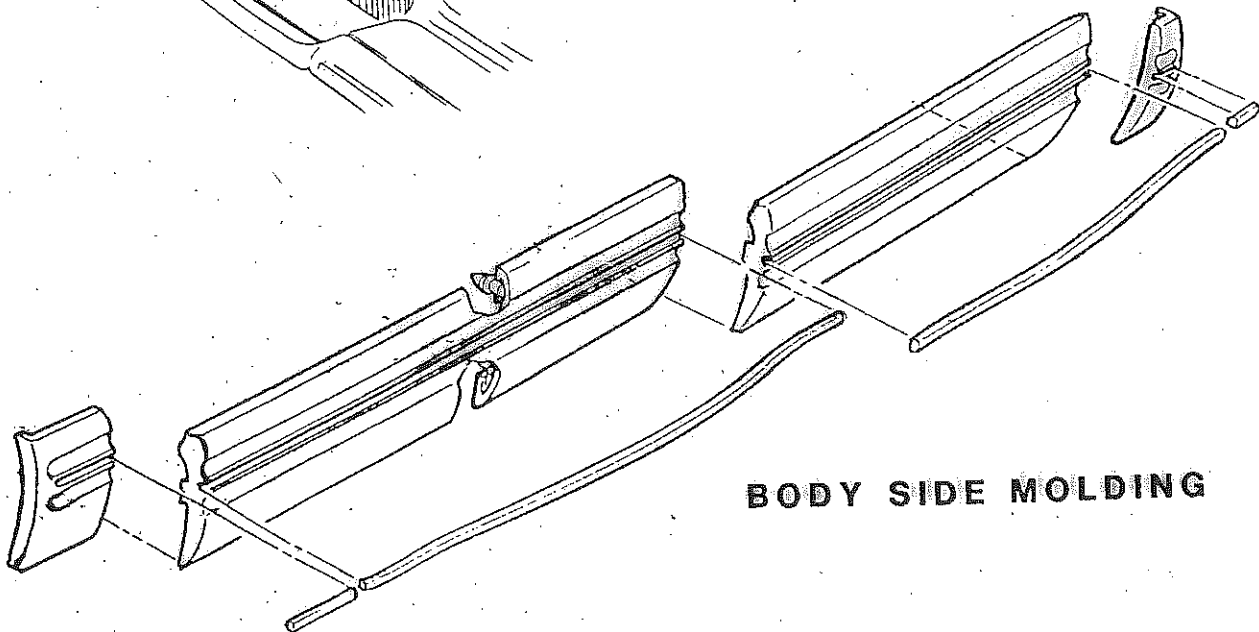
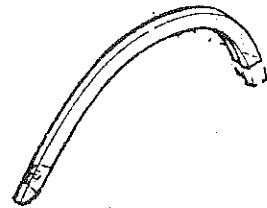
HOOD ORNAMENTS



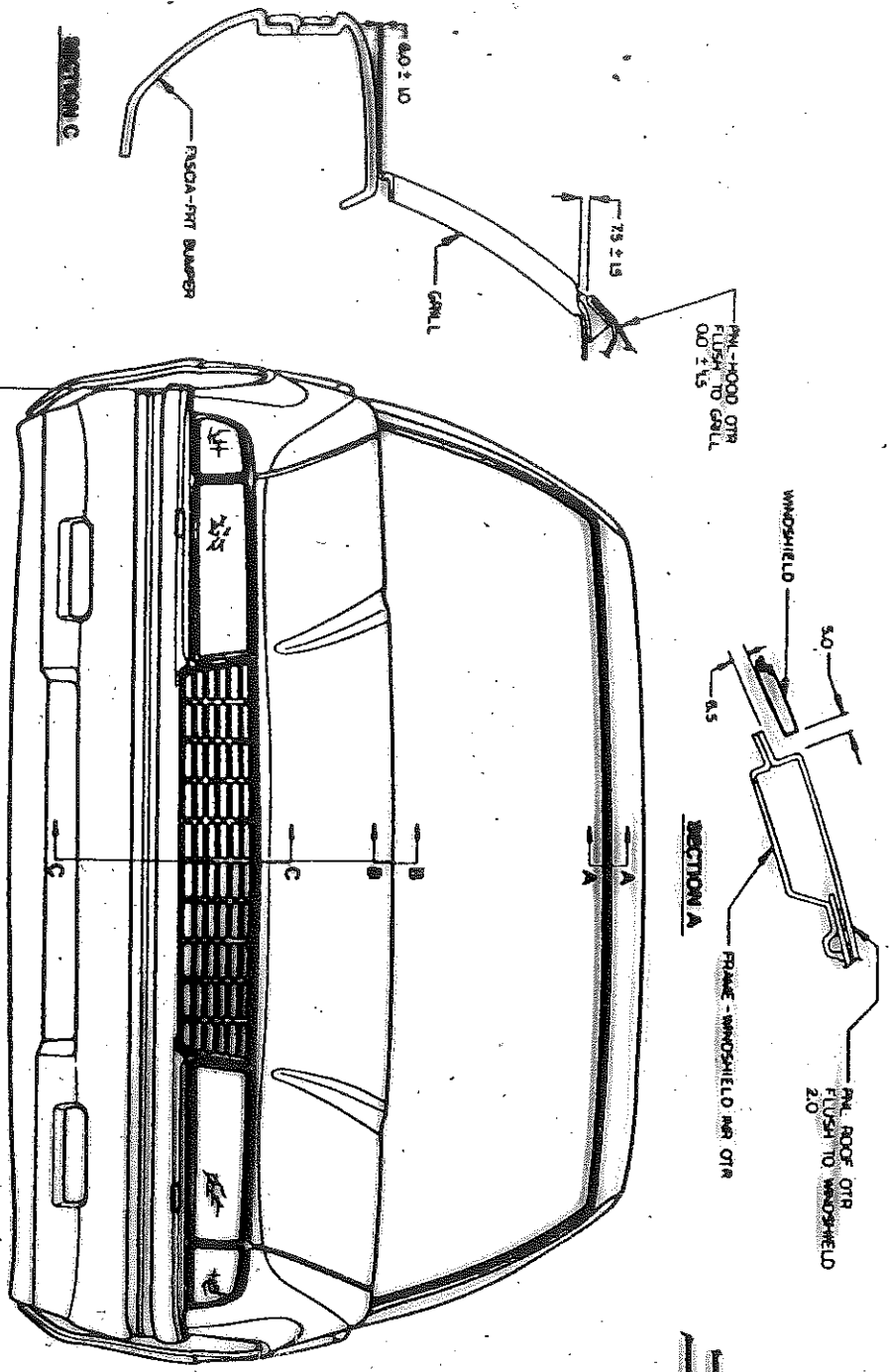
NAMEPLATES



WHEELHOUSE MOLDING



BODY SIDE MOLDING



SECTION FLUSH TO 1.5
 MIDLINE OF REARVIEW

BODY FRAMING COMPLETE