

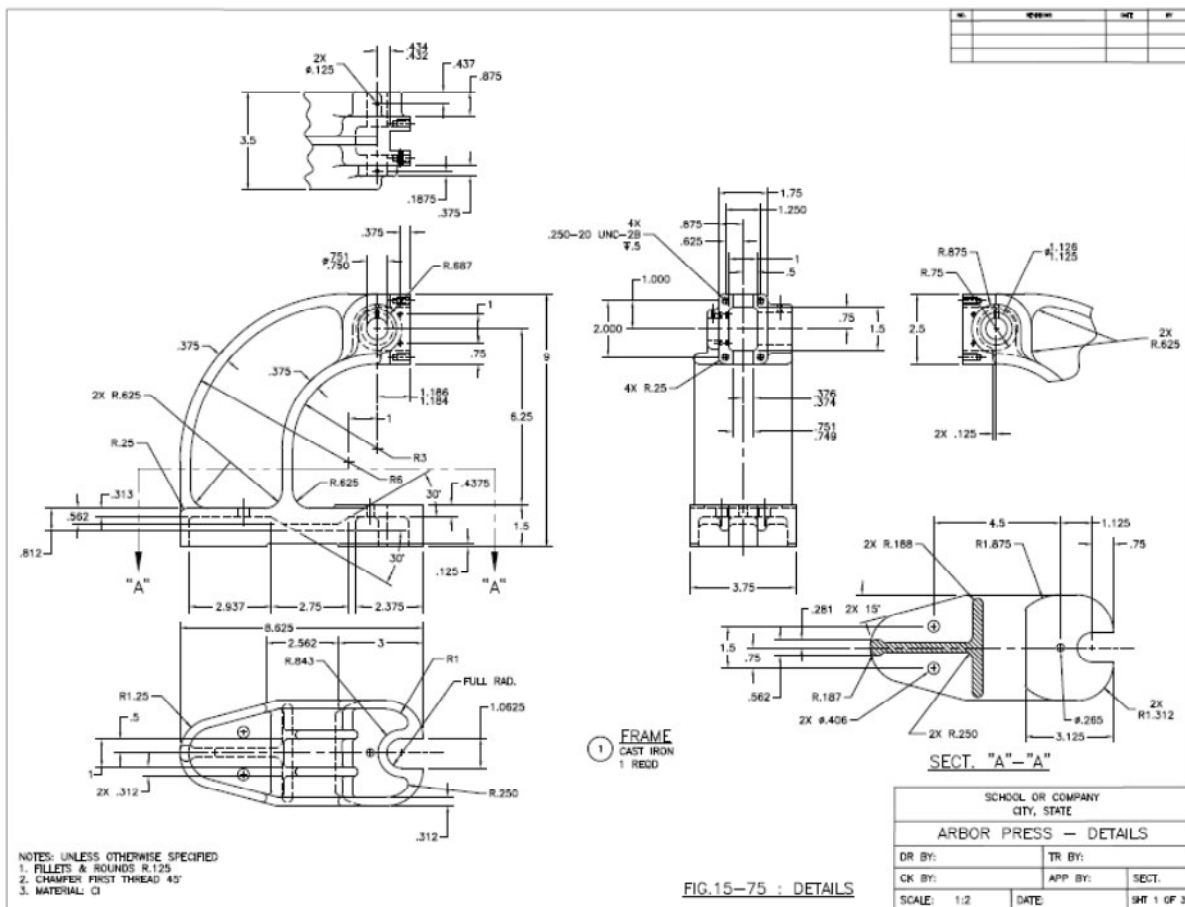
Study the drawing of the **Arbor Press** above. (You can also find this in your book on page 479)
 Begin by drawing “**Detail Drawings**” (Front, Right, Top, Left, etc as needed) of each part. The parts need to be dimensioned and noted. All the parts should be drafted in model space to actual size. However, when inserting the **Detail Drawings** in paper space all parts except for **Part 1- Frame** should be drawn at 1:1 scale. **Part 1- Frame** should be inserted at 1:2 scale.

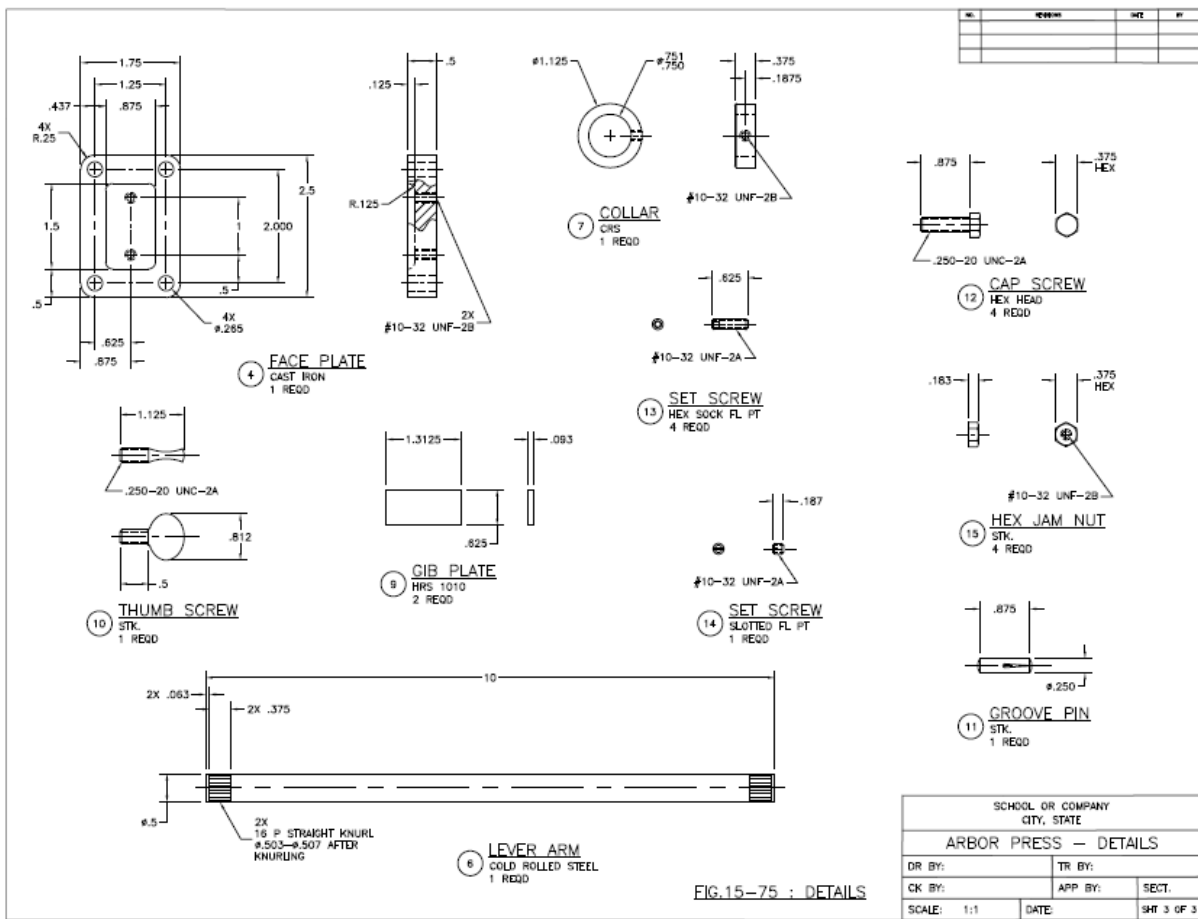
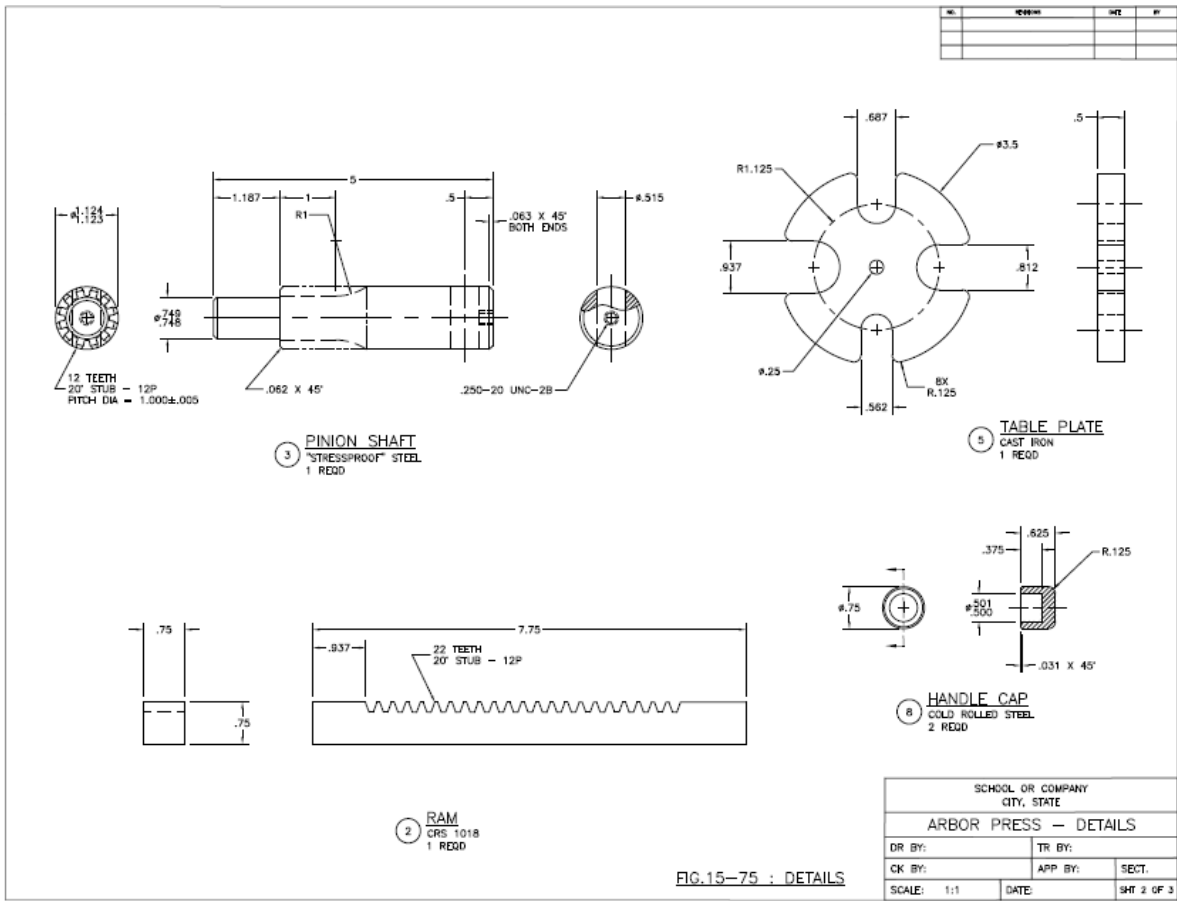
Then draw an “**Assembly Drawing**” of the Arbor Press put together. This drawing will be inserted into paperspace at 1:2 scale. You will draw the front and side view of the Arbor Press assembled.

Select the sheet(s) that best fit the drawing (A,B,C, or D sized sheets); you will have more than one sheet in order to fit all the drawings. Keep in mind when plotting even though some drawings are at 1:1 scale and others 1:2, all dimensions, lettering and arrows should appear to be the same size so select the correct dimension styles.

Refer to your book for the proper “rules” of **Detail and Assembly Drawings** and **Dimensioning**.

Below are some hints on how your final drawing will appear.





NO.	DESCRIPTION	QTY	UNIT

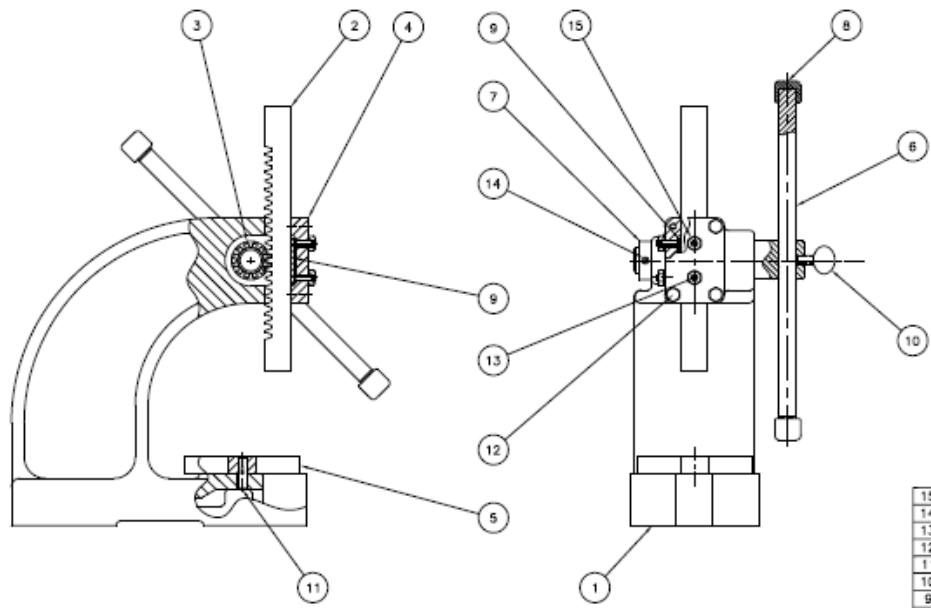


FIG.15-75 : ASSEMBLY

15	HEX JAM NUT	4	STK
14	SLOTTED SET SCREW	1	STK
13	HEX SOCK SET SCREW	4	STK
12	HEX HEAD CAP SCREW	4	STK
11	GROOVE PIN	1	STK
10	THUMB SCREW	1	STK
9	GIB PLATE	2	HRS 1010
8	HANDLE CAP	2	CRS
7	COLLAR	1	CRS
6	LEVER ARM	1	CRS
5	TABLE PLATE	1	CI
4	FACE PLATE	1	CI
3	PINION SHAFT	1	STBL
2	RAM	1	CRS 1018
1	FRAME	1	CI

NO.	DATE	DESIGN	APPROVAL
SCHOOL OR COMPANY CITY, STATE			
ARBOR PRESS			
DR BY:	TR BY:		
CK BY:	APP BY:	SECT.	
SCALE: 1:2	DATE:	SHEET	