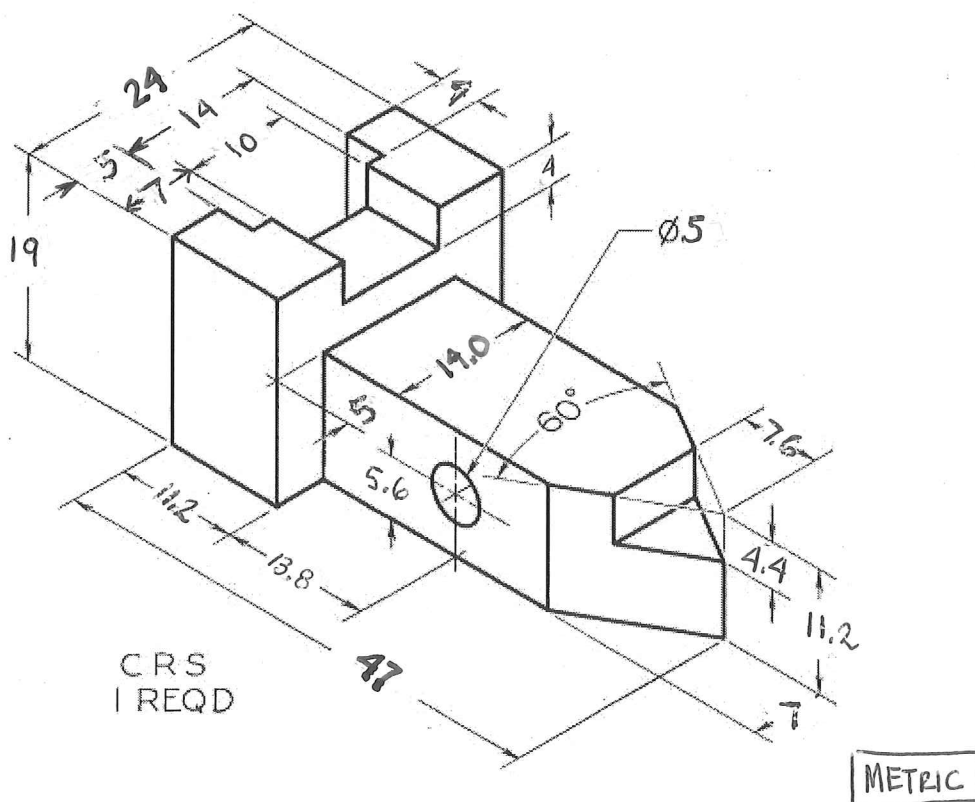


ANGLE KEY DRAWING- CAD

Preparing to Draw: Basic Drawing and Dimensioning Skills, Identifying Measurements, and Multiview Drawings

Below is a 3-D (Isometric) view of a part called "ANGLE KEY". Study the drawing and mentally picture the object in 3-D in your head. Then picture the object orthographically. What does the front view look like, the right side view, the top view, etc.?

1. Open up the **Blank Drawing Template-MM: Dwg file**. Immediately "Save-as" and rename it ANGLE KEY-YOUR FIRST AND LAST NAME and save it in your DRAFTING Folder.
2. Draft the Front View, Top View, Right Side View and Left Side View.
3. You do not have to dimension at this time. (We will do this later.)
4. Set your drawing up on an A-Size sheet in Paper Space, using the "MV" command and selecting the scale that best fits the sheet.
5. Plot your drawing and submit.



15.1306 Mechanical Drafting Consolidated (2011)

D		Preparing to Draw: Basic Drawing and Dimensioning Skills
	2	Identify drawing views and details.
	3	Identify assembly drawings, detailed drawings, and other drawings by type.
	4	Identify revisions and apply engineering change information.
	5	Identify and create line types.
	7	Complete title block and apply reference information.
	9	Select and interpret scale and paper size.
	10	Identify and operate design tools/instruments (CAD and/or manual).
F		Identify Measurements
	2	Calculate unit conversion.
G		Geometric Construction
	1	Draw lines and curved elements.
	2	Construct perpendicular and parallel lines.
	3	Construct tangent lines and arcs.
I		Multiview Drawings
	1	Demonstrate knowledge of multiview drawings.
	2	Multiview projection (third angle and first angle).
L		Dimensioning Skills
	6	Place local and general notes including fonts, lettering size, style, etc.
	7	Identify geometric dimensioning and tolerancing symbols.
	8	Identify measurements.