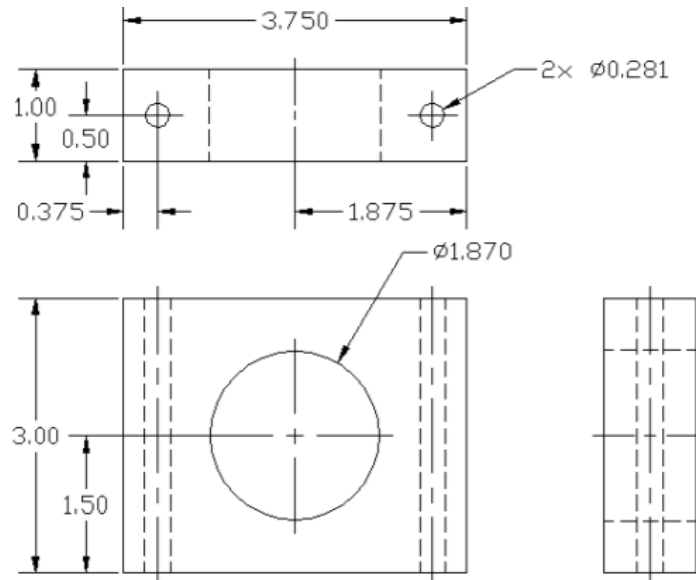
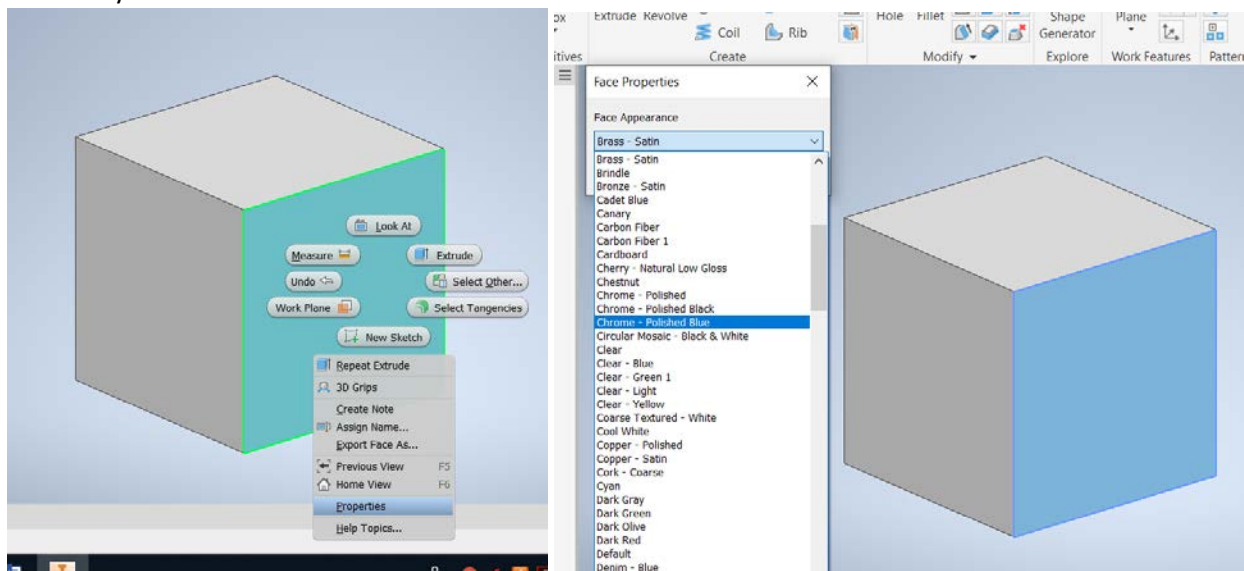


End Clamp 3D Modeling

1. Students to 3D model the [End Clamp](#) Part in **Inventor**. Save the .ipt file in the Drafting Folder naming it END CLAMP- FRIST AND LAST NAME



2. Students to add their name in 3D on one face of the End Clamp and a shape that represents them on another.
3. Students to add materials to the faces of the model. **Right click** on the face, click **Properties**, then select the material you want



4. When complete, to submit, students to put the 3D model in online portfolio by snipping **or** using Inventor Studio to render two views (to show all 6 sides) placed in the online portfolio. ([Portfolio Project Spreadsheet](#))
5. Teacher will check online portfolio to for grade.