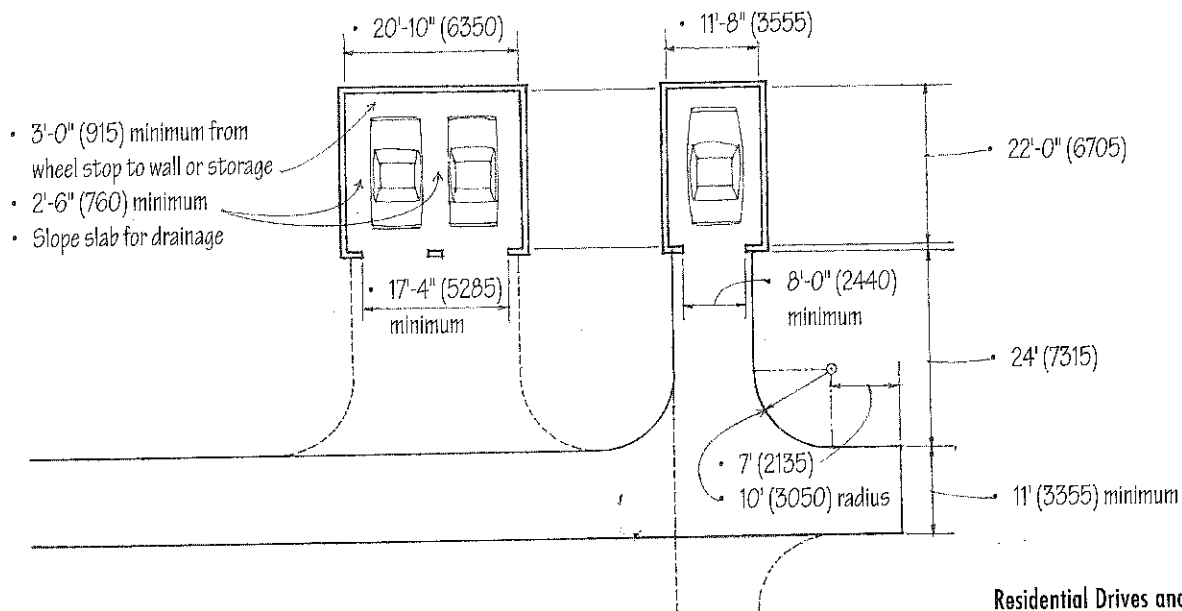
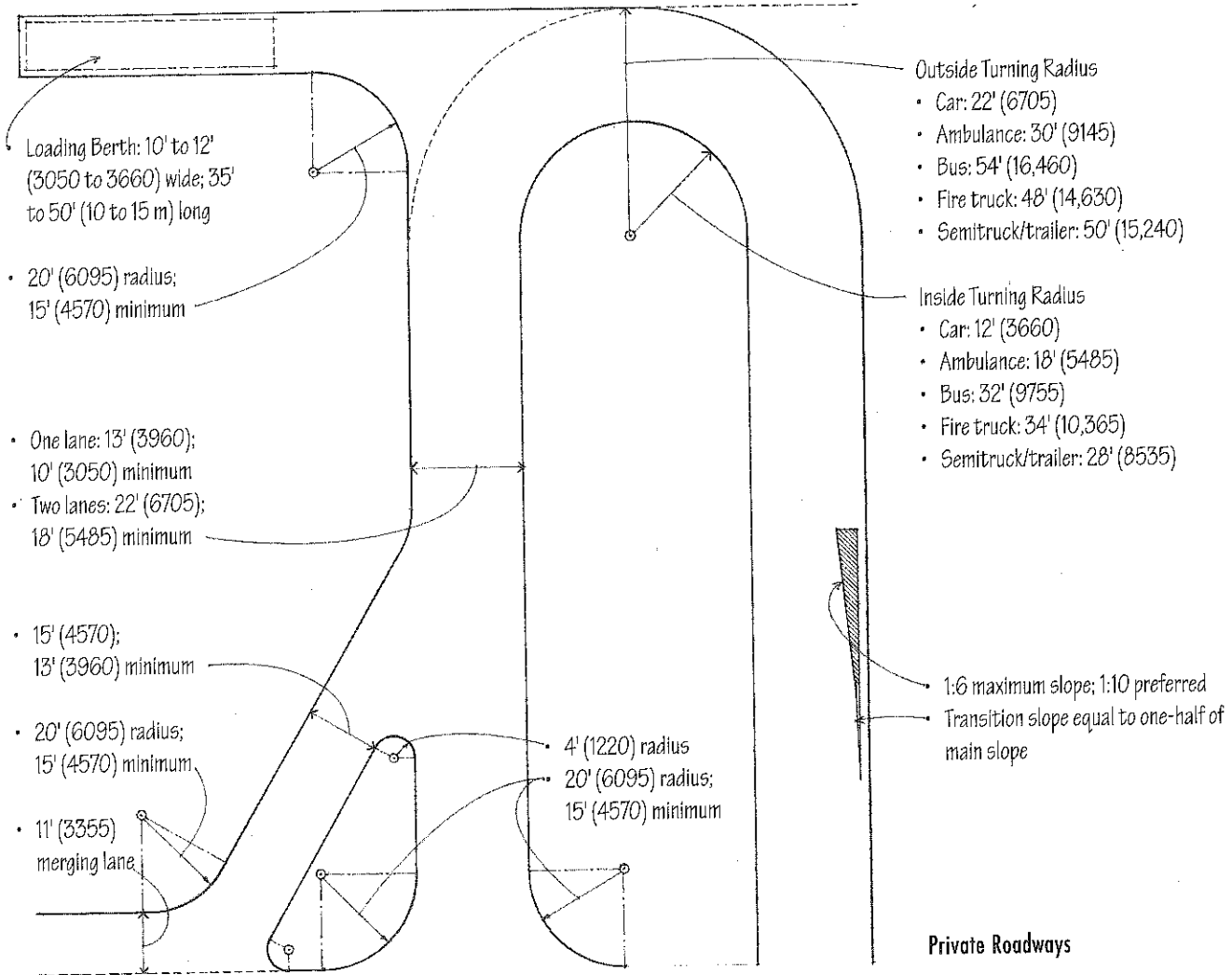


1.24 VEHICULAR CIRCULATION

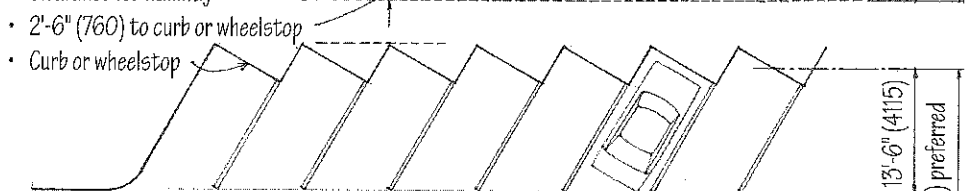
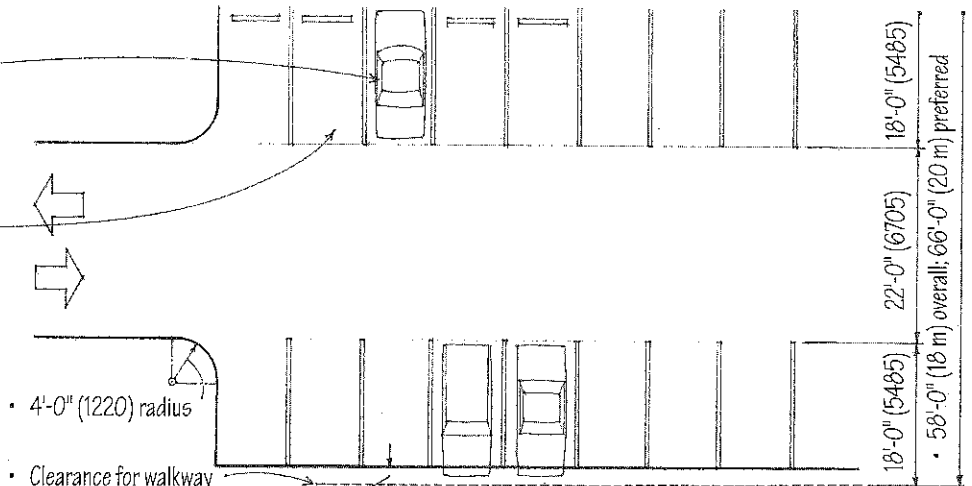


Vehicle Dimensions

- Compact car: 5'-8" x 16'-0" (1725 x 4875)
- Standard car: 6'-6" x 18'-0" (1980 x 5485)

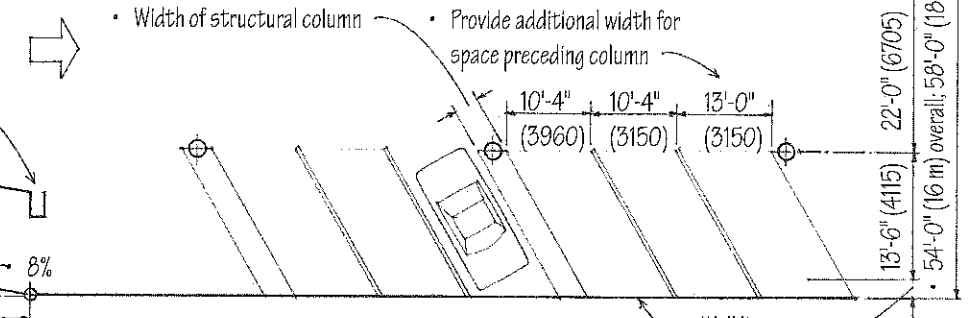
Parking Spaces

- Standard cars: 8'-6" to 9'-0" (2590 to 2745) x 18'-0" to 20'-0" (5485 to 6095)
- Compact cars: 8'-0" (2440) x 16'-0" (4875)
- Slope 1% to 5% for drainage; 2% to 3% recommended



Parking Lots

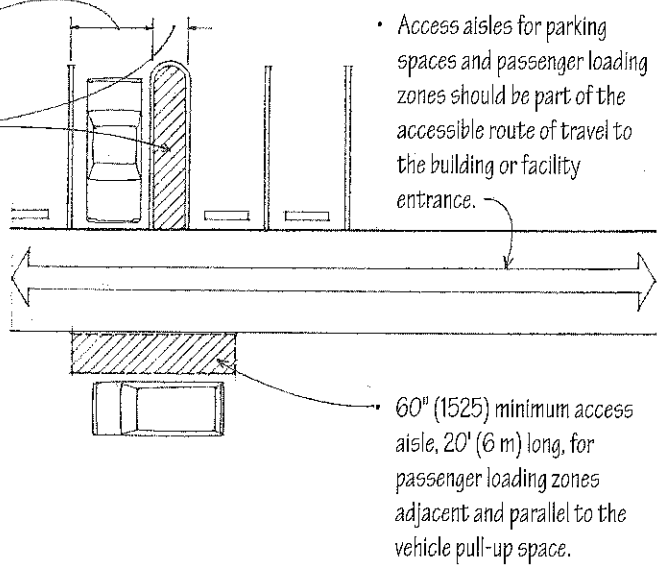
- 7'-0" (2135) minimum overhead clearance
- 8% slope
- 16% transition slope
- 8% transition slope
- Transition slope equal to one-half of ramp slope; 10' (3050) length



Garage Ramps



- 96" (2440) minimum width
- 60" (1525) minimum access aisle; may be shared by two accessible parking spaces. Identify accessible parking spaces with a sign showing the international symbol of accessibility.
- Accessible parking spaces for vans used by persons with disabilities should have a clear height of 98" (2490) and an access aisle at least 96" (2440) wide.



- Local, state, and federal laws regulate the number of accessible spaces required.
- Locate accessible parking spaces as close as possible to building or facility entrance.
- 1:50 maximum slope for spaces and access aisles

ADA Accessibility Guidelines