

Creating a One-Point Perspective

COPIED FROM MECHANICAL DRAWINGS BOARD
& CAD TECHNIQUES
FRENCH-HELSEL

1. Decide on the scale to be used and draw the top view near the top of the drawing sheet, as shown in Figure 12-59A. A more interesting view is obtained if the top view is drawn slightly to the right or left of center.
2. Draw an edge (top) view of the picture plane (PP) through the front edge of the top view.
3. Draw the horizontal line (HL). The location will depend on whether you want the object to be viewed from above, on, or below eye level. Draw the ground line. Its location in relation to the horizon line will determine how far above or

- below eye level the object will be viewed. See Figure 12-59A.
4. To locate the station point (SP), draw a vertical line (line of sight) from the picture plane toward the bottom of the sheet. Draw the line slightly to the right or left of the top view. Set your dividers at a distance equal to the width of the top view. Begin at the center of vision of the picture plane and step off 2 to 3 times the width of the top view, along the line of sight, to locate the station point. See Figure 12-59B.
5. Project downward from the top view to establish the width of the front view on the ground line. Complete the front view.
6. The vanishing point is the intersection of the line of sight and the horizon line. Project lines from the points on the front view to the vanishing point. See Figure 12-59C. Establish depth dimensions in the following way: Project a line from the back corner of the top view to the station point. At point A on PP, drop a vertical line to the perspective view to establish the back edge. Draw a horizontal line through point B to establish the back top edge.
7. Proceed as in the previous step to lay out the slot detail. See Figure 12-59D.
8. Darken all necessary lines and erase construction lines to complete the drawing.

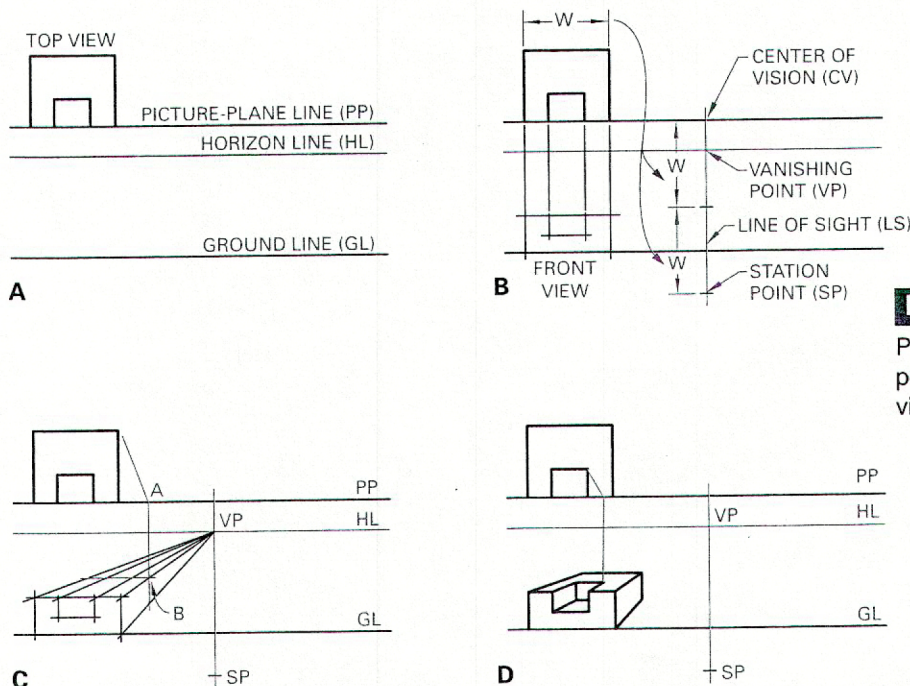


Figure 12-59

Procedure for making a one-point perspective drawing (bird's-eye view).